



Post Office Box 1789
Amarillo, Texas 79105
2401 Sundown Lane (79118)
Ph. 806 622 1273
Fax 806 622 3258

Instructions for Using Parts List for Double Reduction Fan Drives

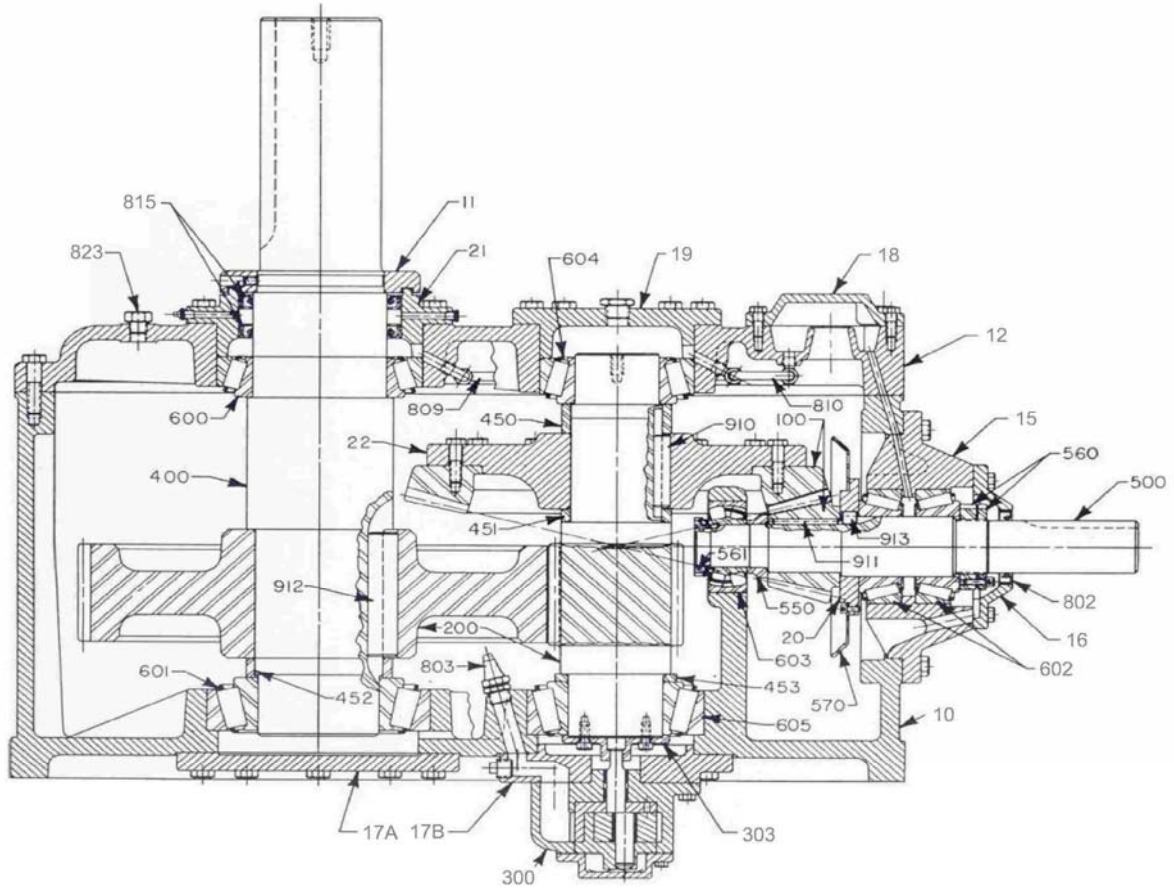
1. These parts lists are for current production models from the model 1008-1814 and A32 - A38.
Contact Amarillo Gear Company for prices.
2. To make sure you get the correct parts, always provide the serial number of the gear drive when ordering parts.
3. A general double reduction fan drive drawing is provided for parts identification.



A member of The Marmon Group of companies

Copyright ©2003 Amarillo Gear Co.

Figure 1 - Double Reduction Gear Drive Typical Cross-Section





Model 1008 Parts List		
Ref. No.	Part No.	Description
10	D1-10	Gear Case and
12	D1-12	Cover
11	D1-11	Upper Seal Plate
15	D1-15	Horiz. Carrier
16	F4-16A	Horiz. Seal Plate
17B	D1-17BM	Lower Brg Cover-Interm
17A	D1-17AM	Lower Brg Cover-Output
18	D1-18	Cover Plate
19	D1-19	Upper Brg Cover-Interm
20	D1-20	Oil Slinger Plate
21	D1-21	Vertical Seal Carrier
22	N/A	Vertical Gear Mount
	L18B	Inspection Plate
+100	100	Spiral Bevel Gears, ratios 7.5 thru 10:1, 11, 12
+100	100	Spiral Bevel Gears, ratios 10.5, 13, 14
200G	397G	Helical Gear
+200P	397P	Helical Pinion
400	31028	Vertical Output Shaft
450	450	Above Gear Spcr-Interm
451	451	Bet. Gear Spcr-Interm
452	452	Lower Gear Spcr-Output
453	453	Under Gear Spcr-Interm
500	500	Horizontal Shaft
550	N/A	Horiz Inner Brg Spacer
560	3268	Horiz Brg Locknut Set
561	N/W-09	Horiz Gear Retainer
570	31027	Oil Slinger
+600	42587/381	Upper Bearing-Output
+601	598A/592A	Lower Bearing-Output
+602	JHM807012 JHM807045	Outer Bearing-Horiz
+603	65500 65225	Inner Bearing-Horiz
+604	553X/555S	Upper Bearing-Interm
+605	65500 65225	Lower Bearing-Interm
+802	SH 1008	Standard Horiz Oil Seal Set - CR Seal #18733, qty 2
+815	SV 1008	Standard Output Shaft Seal Set - National Seal #417504, qty 2
+823	M 313650	Breather Plug
**+824	SM 1008	Brg Shims-Output & Interm Shaft
+825	GC 1008	Gasket Set - Complete (below S/N 231989)
	51531	Loctite Gasket Sealant 2-50ml tubes (S/N 231989 & above)
**+826	*See Ref 824*	
	M AS255	O-ring for D1-21
	M AS246	O-ring for D1-19
836	N/A	Horizontal Carrier Oil Ring
910	910-1008	Gear Key-Interm Shaft
911	911-1008	Gear Key-Horiz Shaft
912	MK 7498-6	Gear Key-Output Shaft
913	913-1008	Oil Slinger Key
300	2 RFD	Oil Pump
303	31025	Oil Pump Drive Plate
17M	D1-17MR1	Bottom Plug-Oil Pump

+Recommended Spare Parts

MINIMUM ORDER VALUE - \$100.00 NET.

*Bearing Shims, Ref 824 Output Shaft & Ref 826 Intermediate Shaft, are now sold as 1 set on!

*SOME PART NUMBERS DETERMINED BY RATIO AND/OR OPTIONAL FEATURES.
ALWAYS PROVIDE SERIAL NUMBER OF DRIVE WHEN ORDERING PARTS FOR
VERIFICATION.*



Model 1110 Parts List		
Ref. No.	Part No.	Description
10	D2-10A	Gear Case and
12	D2-12A	Cover
11	D2-11	Upper Seal Plate
15	D2-15	Horiz. Carrier
16	F4-16A	Horiz. Seal Plate
17B	D2-17BM	Lower Brg Cover-Interm
17A	D2-17AM	Lower Brg Cover-Output
18	D2-18	Cover Plate
19	D2-19	Upper Brg Cover-Interm
20	D2-20A	Oil Slinger Plate
21	D2-21	Vertical Seal Carrier
22	N/A	Vertical Gear Mount
	L18B	Inspection Plate
+100	100	Spiral Bevel Gears, ratios 7.5, 8, 9.5 thru 13
+100	100	Spiral Bevel Gears, ratios 8.5, 9, 14
200G	396G	Helical Gear
+200P	396P	Helical Pinion
400	32028	Vertical Output Shaft
450	450	Above Gear Spcr-Interm
451	451	Bet. Gear Spcr-Interm
452	452	Lower Gear Spcr-Output
453	453	Under Gear Spcr-Interm
500	500.00	Horizontal Shaft
550	N/A	Horiz Inner Brg Spacer
560	3268	Horiz Brg Locknut Set
561	N/W-09	Horiz Gear Retainer
570	32025	Oil Slinger
+600	64700/450	Upper Bearing-Output
+601	71750/425	Lower Bearing-Output
+602	JHM807012 JHM807045	Outer Bearing-Horiz
+603	HH814510 HH814547	Inner Bearing-Horiz
+604	H414210/42	Upper Bearing-Interm
+605	HH814510 HH814547	Lower Bearing-Interm
+802	SH 1110	Standard Horiz Oil Seal Set -CR Seal #18733, qty 2
+815	SV 1110	Standard Output Shaft Seal Set - CR Seal #44959, aty 2
+823	M 313650	Breather Plug
**+824	SM 1110	Brg Shims-Output & Interm Shaft
+825	GC 1110	Gasket Set - Complete (below S/N 231989)
	51531	Loctite Gasket Sealant 2-50ml tubes (S/N 231989 & above)
**+826	*See Ref 824*	
	M AS363	O-ring for D2-21
	M AS251	O-ring for D2-19
836	N/A	Horizontal Carrier Oil Ring
910	910-1110	Gear Key-Interm Shaft
911	911-1110	Gear Key-Horiz Shaft
912	MK 7498-7	Gear Key-Output Shaft
913	913-1110	Oil Slinger Key
300	2 RFD	Oil Pump
303	32027	Oil Pump Drive Plate
17M	D2-17MR	Bottom Plug-Oil Pump

+Recommended Spare Parts

MINIMUM ORDER VALUE - \$100.00 NET.

**Bearing Shims, Ref 824 Output Shaft & Ref 826 Intermediate Shaft, are now sold as 1 set on

SOME PART NUMBERS DETERMINED BY RATIO AND/OR OPTIONAL FEATURES.
ALWAYS PROVIDE SERIAL NUMBER OF DRIVE WHEN ORDERING PARTS FOR
VERIFICATION.



Model 1311 Parts List		
Ref. No.	Part No.	Description
10	D3-10	Gear Case and
12	D3-12	Cover
11	D3-11	Upper Seal Plate
15	D3-15	Horiz. Carrier
16	D3-16A	Horiz. Seal Plate
17B	D3-17BM	Lower Brg Cover-Interm
17A	D2-17AM	Lower Brg Cover-Output
18	D2-18	Cover Plate
19	D3-19	Upper Brg Cover-Interm
20	33018	Oil Slinger Plate
21	D3-21	Vertical Seal Carrier
22	D3-22	Vertical Gear Mount
	L18B	Inspection Plate
+100	100	Spiral Bevel Gears, ratios 9 thru 10, 11 thru 14
+100	100	Spiral Bevel Gears, ratios 8.5, 10.5, 17
200G	398G	Helical Gear
+200P	398P	Helical Pinion
400	33028	Vertical Output Shaft
450	450	Above Gear Spcr-Interm
451	451	Bet. Gear Spcr-Interm
452	452	Lower Gear Spcr-Output
453	453	Under Gear Spcr-Interm
500	500	Horizontal Shaft
550	550	Horiz Inner Brg Spacer
560	5237	Horiz Brg Locknut Set
561	N/W-08	Horiz Gear Retainer
570	32025	Oil Slinger
+600	48220/290	Upper Bearing-Output
+601	71750/425	Lower Bearing-Output
+602	2-H715345 2-H715311	Outer Bearing-Horiz
+603	22308C	Inner Bearing-Horiz
+604	742/749	Upper Bearing-Interm
+605	HH221410 HH221430	Lower Bearing-Interm
+802	SH 1311	Standard Horiz Oil Seal Set - CR Seal #24370, qty 2
+815	SV 1311	Standard Output Shaft Seal Set - CR Seal #49928, qty 2
+823	M 313650	Breather Plug
**+824	SM 1311	Brg Shims-Output & Interm Shaft
+825	GC 1311	Gasket Set - Complete (below S/N 231989)
	51531	Loctite Gasket Sealant 2-50ml tubes (S/N 231989 & above)
**+826	*See Ref 824*	
	M AS364	O-ring for D3-21
	M AS255	O-ring for D3-19
836	34152	Horizontal Carrier Oil Ring
910	MK 7501-5	Gear Key-Interm Shaft
911	911-1311	Gear Key-Horiz Shaft
912	MK 7498-8	Gear Key-Output Shaft
913	913-1311	Oil Slinger Key
300	HV 2379	Oil Pump, replaces AG530G
303	33010	Oil Pump Drive Plate
17M	D3-17M	Bottom Plug-Oil Pump

+Recommended Spare Parts

MINIMUM ORDER VALUE - \$100.00 NET.

*Bearing Shims, Ref 824 Output Shaft & Ref 826 Intermediate Shaft, are now sold as 1 set on!

*SOME PART NUMBERS DETERMINED BY RATIO AND/OR OPTIONAL FEATURES.
ALWAYS PROVIDE SERIAL NUMBER OF DRIVE WHEN ORDERING PARTS FOR
VERIFICATION.*



Model 1712 Parts List		
Ref. No.	Part No.	Description
10	D410	Gear Case and
12	D4-12	Cover
11	D4-11	Upper Seal Plate
15	D4-15	Horiz. Carrier
16	D3-16A	Horiz. Seal Plate
17B	D4-17BM	Lower Brg Cover-Interm
17A	D4-17AM	Lower Brg Cover-Output
18	D4-18	Cover Plate
19	D4-19M	Upper Brg Cover-Interm
20	D4-20	Oil Slinger Plate
21	D4-21	Vertical Seal Carrier
22	D4-22 3.75	Vertical Gear Mount
	L18B	Inspection Plate
+100	100	Spiral Bevel Gears, ratios 9, 11 thru 16
+100	100	Spiral Bevel Gears, ratios 9.5, 10.5, 17, 18
200G	387G	Helical Gear
+200P	387P	Helical Pinion
400	34028	Vertical Output Shaft
450	450	Above Gear Spcr-Interm
451	451	Bet. Gear Spcr-Interm
452	452	Lower Gear Spcr-Output
453	453	Under Gear Spcr-Interm
500	500.00	Horizontal Shaft
550	550	Horiz Inner Brg Spacer
560	5237	Horiz Brg Locknut Set
561	N/W-10	Horiz Gear Retainer
570	34022	Oil Slinger
+600	74850/550	Upper Bearing-Output
+601	95925/500	Lower Bearing-Output
+602	2-H715345	Outer Bearing-Horiz
	2-H715311	
+603	22310C	Inner Bearing-Horiz
+604	6535/6580	Upper Bearing-Interm
+605	HH421210	Lower Bearing-Interm
	HH421246	
+802	SH 1712	Horiz Oil Seal Set- CR Seal# 24370, Qty 2
+815	SV 1712	Output Shaft Seal Set- CR Seal# 54972, Qty 2
+823	M 313650	Breather Plug
**+824	SM 1712	Brg Shims-Output & Interm Shaft
+825	GC 1712	Gasket Set - Complete (below S/N 231989)
	51531	
**+826	*See Ref 824*	Loctite Gasket Sealant 2-50ml tubes (S/N 231989 & above)
	M AS369	O-ring for D4-21
	M AS258V	O-ring for D419M
836	34152	Horizontal Carrier Oil Ring
910	MK 7501-6	Gear Key-Interm Shaft
911	911-1712	Gear Key-Horiz Shaft
912	MK 7498-9	Gear Key-Output Shaft
913	913-1712	Oil Slinger Key
300	HV 2379	Oil Pump, replaces AG530G
303	34025	Oil Pump Drive Plate
17M	D4-17MR	Bottom Plug-Oil Pump

+Recommended Spare Parts

MINIMUM ORDER VALUE - \$100.00 NET.

*Bearing Shims, Ref 824 Output Shaft & Ref 826 Intermediate Shaft, are now sold as 1 set on!

*SOME PART NUMBERS DETERMINED BY RATIO AND/OR OPTIONAL FEATURES.
ALWAYS PROVIDE SERIAL NUMBER OF DRIVE WHEN ORDERING PARTS FOR
VERIFICATION.*



Model 1712.5 Parts List		
Ref. No.	Part No.	Description
10	D4.510	Gear Case and
12	D4-12	Cover
11	D4-11	Upper Seal Plate
15	D5-15	Horiz. Carrier
16	D5-16A	Horiz. Seal Plate
17B	D4-17BM	Lower Brg Cover-Interm
17A	D4-17AM	Lower Brg Cover-Output
18	D4-18	Cover Plate
19	D4-19M	Upper Brg Cover-Interm
20	D4-20	Oil Slinger Plate
21	D4-21	Vertical Seal Carrier
22	D4-22 3.75	Vertical Gear Mount
	L18B	Inspection Plate
+100	100	Spiral Bevel Gears, ratios 11 thru 17
+100	100	Spiral Bevel Gears, ratios 18, 19, 20
200G	730G	Helical Gear
+200P	730P	Helical Pinion
400	34203	Vertical Output Shaft
450	450	Above Gear Spcr-Interm
451	451	Bet. Gear Spcr-Interm
452	452	Lower Gear Spcr-Output
453	453	Under Gear Spcr-Interm
500	500	Horizontal Shaft
550	550	Horiz Inner Brg Spacer
560	6217	Horiz Brg Locknut Set
561	N/W-10	Horiz Gear Retainer
570	34022	Oil Slinger
+600	74850/550	Upper Bearing-Output
+601	95925/500	Lower Bearing-Output
+602	2-6535	Outer Bearing-Horiz
	2-6580	
+603	22310C	Inner Bearing-Horiz
+604	6535/6580	Upper Bearing-Interm
+605	HH421210	Lower Bearing-Interm
	HH421246	
+802	SH 1712.5	Standard Horiz Oil Seal Set - CR Seal #29384, qty 2
+815	SV 1712.5	Standard Output Shaft Seal Set - CR Seal #54972, qty 2
+823	M 313650	Breather Plug
**+824	SM 1712.5	Brg Shims-Output & Interm Shaft
+825	GC 1712	Gasket Set - Complete (below S/N 231989)
	51531	Loctite Gasket Sealant 2-50ml tubes (S/N 231989 & above)
**+826	*See Ref 824*	
	M AS369	O-ring for D4-21
	M AS258V	O-ring for D419M
836	34106	Horizontal Carrier Oil Ring
910	MK 7501-6	Gear Key-Interm Shaft
911	911-1713	Gear Key-Horiz Shaft
912	MK 7498-9	Gear Key-Output Shaft
913	913-1712.5	Oil Slinger Key
300	HV 2379	Oil Pump, replaces AG530G
303	34025	Oil Pump Drive Plate
17M	D4-17MR	Bottom Plug-Oil Pump

+Recommended Spare Parts

MINIMUM ORDER VALUE - \$100.00 NET.

*Bearing Shims, Ref 824 Output Shaft & Ref 826 Intermediate Shaft, are now sold as 1 set on!

*SOME PART NUMBERS DETERMINED BY RATIO AND/OR OPTIONAL FEATURES.
ALWAYS PROVIDE SERIAL NUMBER OF DRIVE WHEN ORDERING PARTS FOR
VERIFICATION.*



Model 1713A Parts List		
Ref. No.	Part No.	Description
10	D5-10B	Gear Case and
12	D5-12	Cover
11	D5-11	Upper Seal Plate
15	D5-15	Horiz. Carrier
16	D5-16A	Horiz. Seal Plate
17B	D-517BM	Lower Brg Cover-Interm
17A	D5-17AM	Lower Brg Cover-Output
18	D4-18	Cover Plate
19	D5-19	Upper Brg Cover-Interm
20	D4-20	Oil Slinger Plate
21	D5-21	Vertical Seal Carrier
22	D4-22 3.75	Vertical Gear Mount
	L18B	Inspection Plate
+100	100	Spiral Bevel Gears, ratios 13, 14, 15, 16, 17
+100	100	Spiral Bevel Gears, ratios 11, 15.5, 18, 19, 20
200G	399G	Helical Gear
+200P	399P	Helical Pinion
400	35028	Vertical Output Shaft
450	450	Above Gear Spcr-Interm
451	451	Bet. Gear Spcr-Interm
452	452	Lower Gear Spcr-Output
453	453	Under Gear Spcr-Interm
500	500	Horizontal Shaft
550	550	Horiz Inner Brg Spacer
560	6217	Horiz Brg Locknut Set
561	N/W-10	Horiz Gear Retainer
570	34022	Oil Slinger
+600	M231610/49	Upper Bearing-Output
+601	99100/550	Lower Bearing-Output
+602	2-6535	Outer Bearing-Horiz
	2-6580	
+603	22310C	Inner Bearing-Horiz
+604	850/32	Upper Bearing-Interm
+605	HH224310	Lower Bearing-Interm
	HH224335	
+802	SH 1713	Standard Horiz Oil Seal Set - CR Seal #29384, qty 2
+815	SV 1713	Standard Output Shaft Seal Set - National Seal #415683
+823	M 313650	Breather Plug
**+824	SM 1713	Brg Shims-Output & Interm Shaft
+825	GC 1713	Gasket Set - Complete (below S/N 231989)
	51531	Loctite Gasket Sealant 2-50ml tubes (S/N 231989 & above)
**+826	*See Ref 824*	
	M AS267V	O-ring for D5-21
	M AS362	O-ring for D5-19
836	35106	Horizontal Carrier Oil Ring
910	MK 7501-6	Gear Key-Interm Shaft
911	911-1713	Gear Key-Horiz Shaft
912	MK 7498-10	Gear Key-Output Shaft
913	913-1713	Oil Slinger Key
300	HV 2379	Oil Pump, replaces AG530G
303	35017	Oil Pump Drive Plate
17M	D5-17M	Bottom Plug-Oil Pump

+Recommended Spare Parts

MINIMUM ORDER VALUE - \$100.00 NET.

*Bearing Shims, Ref 824 Output Shaft & Ref 826 Intermediate Shaft, are now sold as 1 set only!

*SOME PART NUMBERS DETERMINED BY RATIO AND/OR OPTIONAL FEATURES.
ALWAYS PROVIDE SERIAL NUMBER OF DRIVE WHEN ORDERING PARTS FOR
VERIFICATION.*



Model 1814 Parts List		
Ref. No.	Part No.	Description
10	D6-1012	Gear Case and Cover
12		
11	D6-11	Upper Seal Plate
15R	D6-15R	Horiz. Inner Bearing Carrier
15T	D6-15T	Horiz. Outer Bearing Carrier
16	D6-16	Horiz. Oil Seal Plate
17B	D6-17B	Bottom Plug-Intermediate
17A	D6-43	Outer Bearing Carrier
18	D6-18	Oil Pocket Cover Plate
19	D6-19	Upper Brg Cover-Interm
---	L18B	Inspection Plate
20	D4-20 3.5	Oil Slinger Plate
21	D6-21	Vertical Seal Carrier
22	D6-22	Vertical Gear Mount
+100	100	Spiral Bevel Gears
200G	578G	Helical Gear
+200P	578P	Helical Pinion
400	36028	Vertical Output Shaft
450	450	Above Gear Spcr-Interm
451	451	Bet. Gear Spcr-Interm
452	452	Lower Gear Spcr-Output
453	453	Under Gear Spcr-Interm
560	6217	Horiz Brg Locknut Set
561	12148	Inner Bearing Retainer
570	36014	Oil Slinger
+600	67720/67790	Upper Bearing-Output
+601	N232	Lower Radial Bearing-Output
+602	98788/98350	Outer Bearing-Horiz (2)
+603	22310C	Inner Bearing-Horiz
+604	932/941	Upper Bearing-Interm
+605	HH923610/49	Lower Bearing-Interm
+606	29326	Lower Thrust Bearing - Output
+802	SH 1814	Standard Horiz Oil Seal Set - CR Seal #31189, qty 2
+815	SV 1814	Standard Vertical Oil Seal Set - CR Seal #70052, qty 2
+823	M 313650	Breather Plug
**	SM 1814	Brg Shims-Output & Interm Shaft
+825	GC 1814	Gasket Set - Complete (below S/N 231989)
	51531	Loctite Gasket Sealant 2-50ml tubes (S/N 231989 & above)
**	+826	*See Ref 824*
835	9-1604-21	Pre-Load Springs (8)
+828	M AS379	O-Ring Vertical Seal Carrier
+829	M AS376	O-Ring Interm Upper Brg Carrier
+830	M AS456	O-Ring Horz Inner Brg Carrier
+831	M AS276	O-Ring Horz Outer Brg Carrier
+832	M AS170	O-Ring Oil Seal Plate
+833	M AS367	O-Ring Interm Lower Brg Cover
+834	M AS381	O-Ring Thrust Brg Carrier
910	MK 7498-11	Gear Key-Interm Shaft
912	MK 7501-4	Gear Key-Output Shaft
913	MK 8	Oil Slinger Key
300	HV 2379	Oil Pump, replaces AG530G
303	36015	Oil Pump Drive Plate
17M	D6-17BM	Bottom Plug-Oil Pump

+Recommended Spare Parts

MINIMUM ORDER VALUE - \$100.00 NET.

*Bearing Shims, Ref 824 Output Shaft & Ref 826 Intermediate Shaft, are now sold as 1 set on!

*SOME PART NUMBERS DETERMINED BY RATIO AND/OR OPTIONAL FEATURES.
ALWAYS PROVIDE SERIAL NUMBER OF DRIVE WHEN ORDERING PARTS FOR
VERIFICATION.*

Model A32 Parts List		
Ref. No.	Part No.	Description
10	MD3-10	Gear Case and
12	D3-12	Cover
11	MD3-11	Upper Seal Plate
15	MD3-15	Horiz. Carrier
16	D3-16A	Horiz. Seal Plate
18	D2-18	Cover Plate
19	D3-19	Upper Brg Cover-Interm
20	33018	Oil Slinger Plate
21	D3-21	Vertical Seal Carrier
22	D3-22	Vertical Gear Mount
---	L18B	Inspection Plate
100+	100	Spiral Bevel Gears
200G	398G	Helical Gears
200P	398P	Helical Pinion
400	37008	Vertical Output Shaft
450	450	Above Gear Spcr-Interm
451	451	Bet. Gear Spcr-Interm
452	452	Lower Gear Spcr-Output
453	453	Lower Gear Spcr-Interm
---	N/A	Between Helical Spcr
500	500	Horizontal Shaft
560	5237	Horiz Brg Locknut Set
570	32025	Oil Slinger
600+	48220/290	Upper Bearing-Output
601+	71750/425	Lower Bearing-Output
602+	JLM710910/49	Outer Bearing-Horiz
603+	H414210/49	Inner Bearing-Horiz
604+	742/749	Upper Bearing-Interm
605+	HH221410/30	Lower Bearing-Interm
802+	SH A32	Standard Horiz Oil Seal Set - CR Seal #24370, qty 2
815+	SV A32	Standard Output Shaft Seal Set - CR Seal #49928, qty 2
823	M313650	Breather Plug
**	824+	SM A32 Brg Shims-Output & Interm Shaft
	825+	G A32 Gasket Set (below S/N 231989)
		51531 Loctite Gasket Sealant 2-50ml tubes (S/N 231989 & above)
**	826+	*See Ref 824*
	910	910-A32 Gear Key-Interm Shaft
	911	911-A32 Gear Key-Horiz Shaft
	912	MK 7498-8 Gear Key-Output Shaft
	913	913-A32 Oil Slinger Key
	---	P1022-6 Oil Sight Gauge
	---+	M AS255 Upper Brg. Cover O-ring
	---+	M AS364 Vert. Seal Carr. O-ring
	---	37015 Hub Retainer Plate
	---	N/A Brg. Adjustment Plate
	---	N/A Snap Ring

+Recommended Spare Parts

MINIMUM ORDER VALUE - \$100.00 NET.

**Bearing Shims, Ref 824 Output Shaft & Ref 826 Intermediate Shaft, are now sold as 1 set only

*SOME PART NUMBERS DETERMINED BY RATIO AND/OR OPTIONAL FEATURES.
ALWAYS PROVIDE SERIAL NUMBER OF DRIVE WHEN ORDERING PARTS FOR
VERIFICATION.*



**Amarillo
Gear
Company
LLC**

Post Office Box 1789
Amarillo, Texas 79105
2401 Sundown Lane (79118)
Ph. 806 622 1273
Fax 806 622 3258

Model A34 Parts List			
Ref. No.	Part No.	Description	
10	MD4-10	Gear Case and	
12	D4-12	Cover	
11	D4-11	Upper Seal Plate	
15	D4-13	Horiz. Carrier	
16	D5-16A	Horiz. Seal Plate	
18	D4-18	Cover Plate	
19	D4-19M	Upper Brg Cover-Interm	
20	D4-20	Oil Slinger Plate	
21	D4-21	Vertical Seal Carrier	
22	D4-22 3.75	Vertical Gear Mount	
---	L18B	Inspection Plate	
100+	100	Spiral Bevel Gears	
100+	100	Spiral Bevel Gears	
200G	387G	Helical Gears	
200P	387P	Helical Pinion	
400	38006	Vertical Output Shaft	
450	450	Above Gear Spcr-Interm	
451	451	Bet. Gear Spcr-Interm	
452	452	Lower Gear Spcr-Output	
453	453	Lower Gear Spcr-Interm	
---	N/A	Between Helical Spcr	
500	500	Horizontal Shaft	
560	6217	Horiz Brg Locknut Set	
570	34022	Oil Slinger	
600+	74850/550	Upper Bearing-Output	
601+	95925/500	Lower Bearing-Output	
602+	742/9	Outer Bearing-Horiz	
603+	98788/350	Inner Bearing-Horiz	
604+	6535/6580	Upper Bearing-Interm	
605+	HH421210/46	Lower Bearing-Interm	
802+	SH A34	Standard Horiz Oil Seal Set - CR Seal #29384, qty 2	
815+	SV A34	Standard Output Shaft Seal Set - CR Seal #54972, qty 2	
823	M313650	Breather Plug	
**	824+	SM A34	Brg Shims-Output & Interm Shaft
	825+	G A34	Gasket Set (below S/N 231989)
		51531	Loctite Gasket Sealant 2-50ml tubes (S/N 231989 & above)
**	826+	*See Ref 824*	
	910	MK 7501-6	Gear Key-Interm Shaft
	911	MK 7498-4	Gear Key-Horiz Shaft
	912	MK 7498-9	Gear Key-Output Shaft
	913	MK23	Oil Slinger Key
	---	P1022-6	Oil Sight Gauge
	---+	AS258V	Upper Brg. Cover O-ring
	---+	AS369	Vert. Seal Carr. O-ring
	---	37015.00	Hub Retainer Plate
	---	N/A	Brg. Adjustment Plate
	---	N/A	Snap Ring

+Recommended Spare Parts

MINIMUM ORDER VALUE - \$100.00 NET.

**Bearing Shims, Ref 824 Output Shaft & Ref 826 Intermediate Shaft, are now sold as 1 set only

*SOME PART NUMBERS DETERMINED BY RATIO AND/OR OPTIONAL FEATURES.
ALWAYS PROVIDE SERIAL NUMBER OF DRIVE WHEN ORDERING PARTS FOR
VERIFICATION.*



**Amarillo
Gear
Company
LLC**

Post Office Box 1789
Amarillo, Texas 79105
2401 Sundown Lane (79118)
Ph. 806 622 1273
Fax 806 622 3258

Model A36 & A38 Parts List		
Ref. No.	Part No.	Description
10	MD4-10	Gear Case and
12	D4-12	Cover
11	34084	Upper Seal Plate
15	D4-13	Horiz. Carrier
16	D5-16A	Horiz. Seal Plate
18	D4-18	Cover Plate
19	D4-19M	Upper Brg Cover-Interm
20	D4-20	Oil Slinger Plate
21	34085	Vertical Seal Carrier
22	D4-22 3.75	Vertical Gear Mount
---	L18B	Inspection Plate
100+	100	Spiral Bevel Gears for Model A36
100+	100	Spiral Bevel Gears for Model A38
200G	387G	Helical Gears
200P	387P	Helical Pinion
400	34083	Vertical Output Shaft
450	450	Above Gear Spcr-Interm
451	451	Bet. Gear Spcr-Interm
452	452	Lower Gear Spcr-Output
453	453	Lower Gear Spcr-Interm
---	XF-A36	Between Helical Spcr
500	500	Horizontal Shaft
560	6217	Horiz Brg Locknut Set
570	34022	Oil Slinger
600+	74850/550	Upper Bearing-Output
601+	95925/500	Lower Bearing-Output
602+	742/9	Outer Bearing-Horiz
603+	98788/350	Inner Bearing-Horiz
604+	6535/6580	Upper Bearing-Interm
605+	HH421210/46	Lower Bearing-Interm
802+	SH A36	Standard Horiz Oil Seal Set - CR Seal #29384, qty 2
815+	SV A36	Standard Output Shaft Seal Set - CR Seal #64994, qty 2
823	M313650	Breather Plug
**	824+	SM A36 Brg Shims-Output & Interm Shaft
**	825+	G A36 Gasket Set (below S/N 231989)
**		51531 Loctite Gasket Sealant 2-50ml tubes (S/N 231989 & above)
**	826+	*See Ref 824*
	910	910-A36 Gear Key-Interm Shaft
	911	911-A36 Gear Key-Horiz Shaft
	912	912-A36 Gear Key-Output Shaft
	913	913-A36 Oil Slinger Key
	---	P1022-6 Oil Sight Gauge
	---+	M AS258V Upper Brg. Cover O-ring
	---+	M AS267V Vert. Seal Carr. O-ring
	---	34088 Hub Retainer Plate
	---	34086 Brg. Adjustment Ring
	---	3100-650 Snap Ring

+Recommended Spare Parts

MINIMUM ORDER VALUE - \$100.00 NET.

**Bearing Shims, Ref 824 Output Shaft & Ref 826 Intermediate Shaft, are now sold as 1 set only

*SOME PART NUMBERS DETERMINED BY RATIO AND/OR OPTIONAL FEATURES.
ALWAYS PROVIDE SERIAL NUMBER OF DRIVE WHEN ORDERING PARTS FOR
VERIFICATION.*