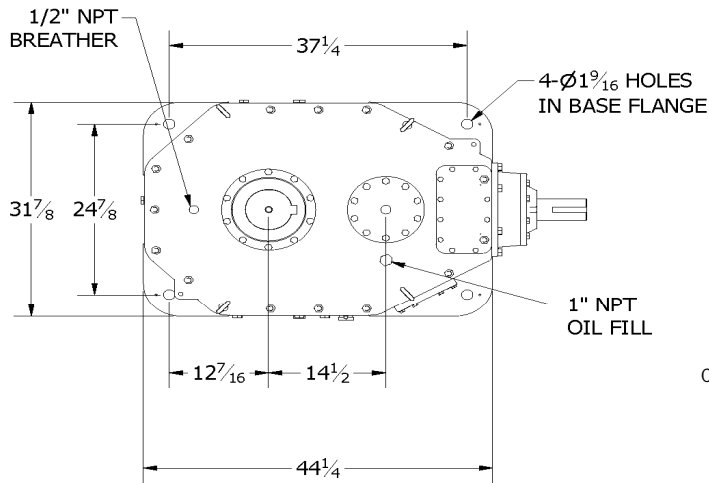


Amarillo Series Fan Drive

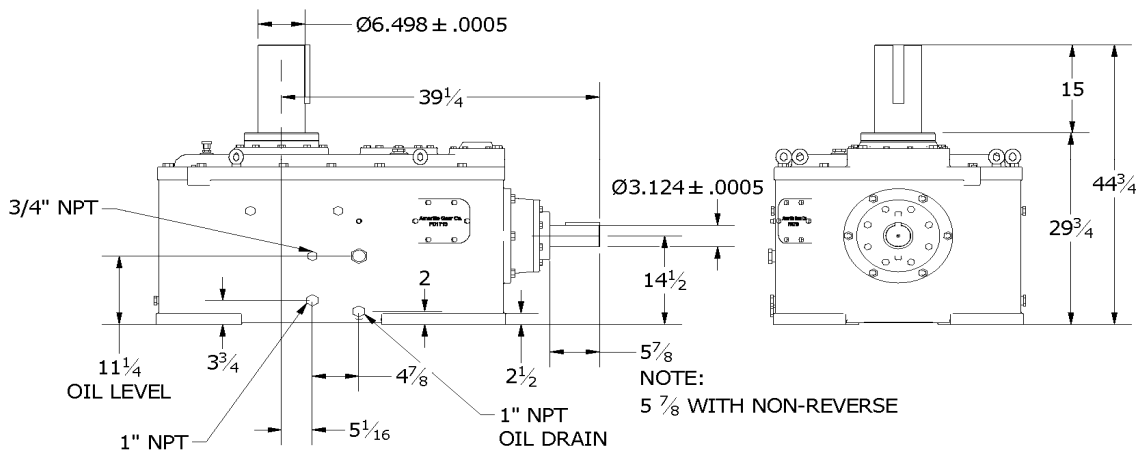
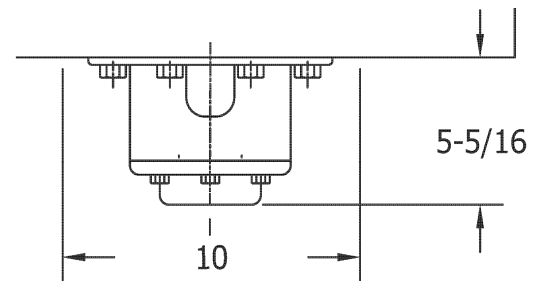
Model 1814



HORIZONTAL KEYWAY: 3/4 x 3/8
 VERTICAL KEYWAY: 1 1/2 x 3/4
 NORMAL ROTATION: BOTH SHAFTS CLOCKWISE

Amarillo Gear Company LLC reserves the right to make design modifications to our gear drives that may change the given dimensions. The dimensions shown in this document may not exactly reflect the dimensions of gear drives currently being offered. Request a *certified dimension print* for construction use.

OIL PUMP (OPTION) MINIMUM CLEARANCE:
 LOCATED BENEATH THE INTERMEDIATE SHAFT.
 CONTACT THE FACTORY FOR ADDITIONAL INFORMATION AND
 A CERTIFIED DIMENSION PRINT



SERVICE HORSEPOWER RATINGS (2.0 SERVICE FACTOR)

| Input (RPM) | Nominal Ratio | | | | | | | | | |
|-------------|---------------|-----|-----|-----|------|-----|-----|-----|-----|-----|
| | 12 | 13 | 14 | 15 | 15.5 | 16 | 17 | 18 | 19 | 20 |
| 1750 | 454 | 419 | 389 | 363 | 356 | 345 | 324 | 309 | 291 | 279 |
| 1450 | 376 | 346 | 322 | 301 | 295 | 286 | 268 | 255 | 241 | 231 |
| 1160 | 301 | 277 | 258 | 241 | 236 | 229 | 215 | 204 | 192 | 184 |

THRUST CAPACITY: _____ 17000 lbs.
 OIL TYPE: _____ ISO 220 / AGMA 5 or 5S / No EP additives
 OIL CAPACITY: _____ 31 gallons (117 L)
 WEIGHT, DOMESTIC SHIPPING: _____ 4270 lbs.
 WEIGHT, EXPORT SHIPPING w/EXPORT BOX: _____ 4530 lbs.
 EXPORT BOX DIMENSIONS (L x W x H): _____ 65 x 50 x 51 (inches)