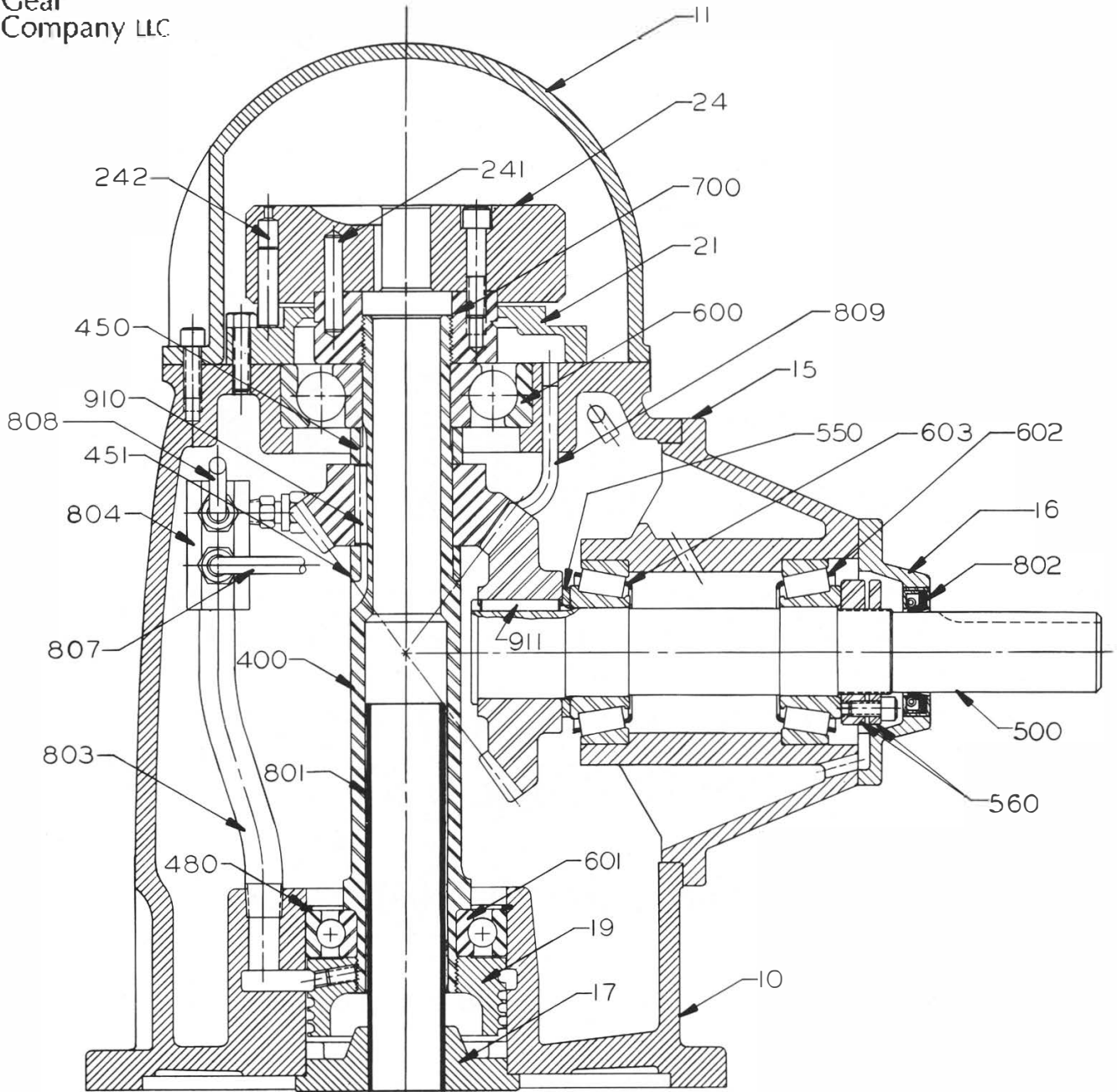


Instructions for Using Current Production Parts List for Small Pump Drives

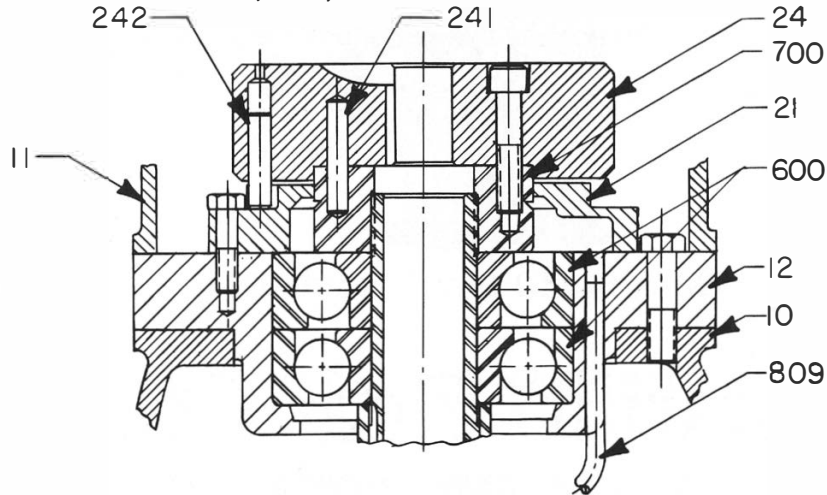
1. These parts lists are for current production models from the model 30, 60A through 350, as well as models 40A and 40B. Contact Amarillo[®] Gear Company for prices.
2. For parts lists and sectional prints of models 40AB, 450A and larger, P3 - P8, and non-current models, please contact Amarillo[®] Gear Company.
3. To make sure you get the correct parts, always provide the serial number of the gear drive when ordering parts.
4. General drawing for pump drives and combination assemblies are provided for parts identification.

Product information and updates

1. As of December 1, 2000, a liquid gasket has been used instead of dry gaskets. This change started with serial number 231989.
2. Copper-Nickel cooling coils are no longer available.
3. A separate parts list is available for non-reverse sprag assemblies. Please contact Amarillo[®] Gear Company.



MODELS SL20, SL30, S20 & S30



MODELS SH20 & SH30

MODEL 20 AND 30 PARTS PRICE LIST

BE SURE TO GIVE SERIAL NUMBER OF DRIVE WHEN ORDERING PARTS

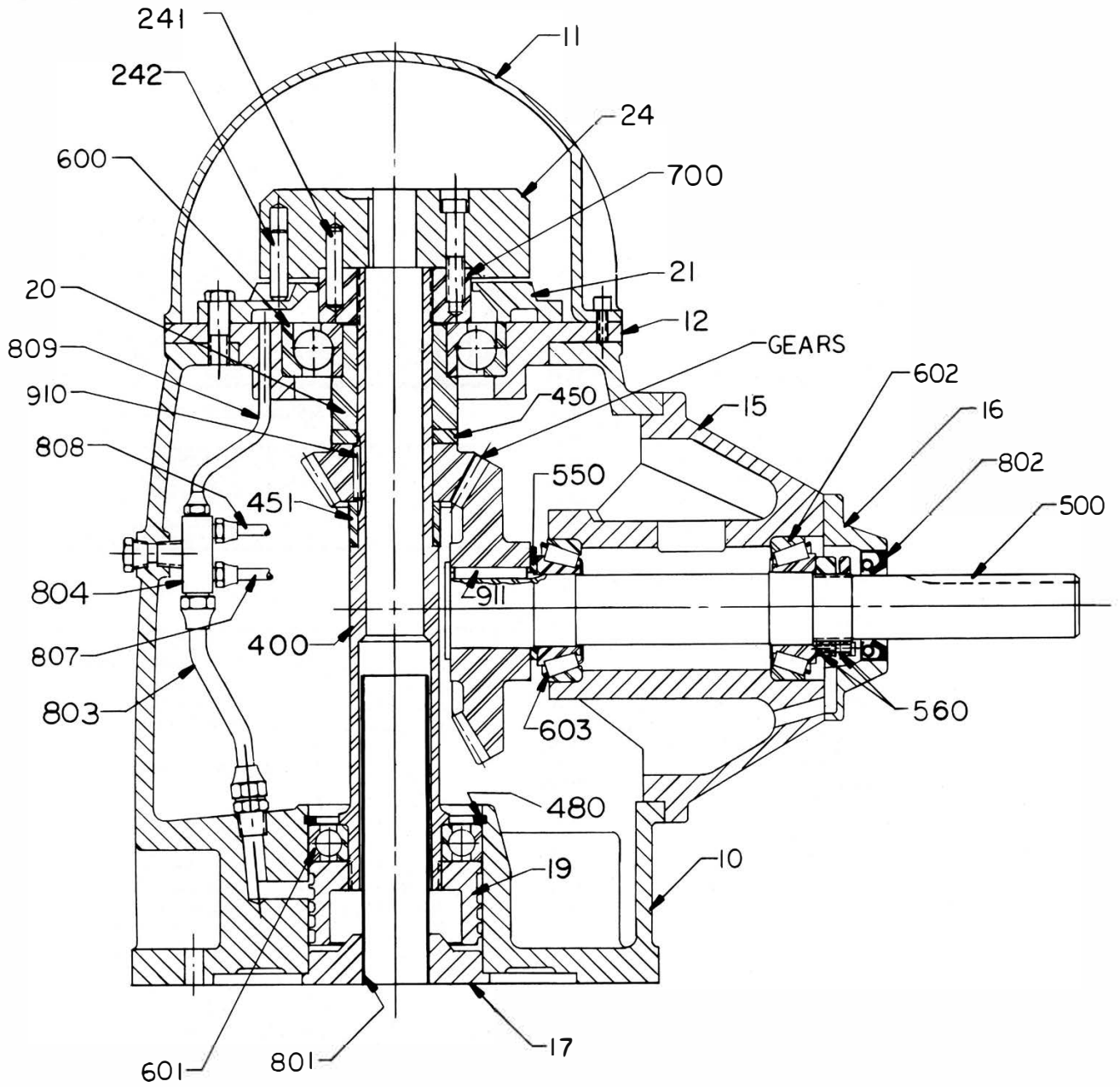
Ref. No.	Model 20	Model 30	Part No.	Description	Price
10	X	X	S10C	Gear Case	
11	X	X	S11S	Cover	
15	X	X	S15T	Horizontal Carrier	
15	X	X	S15TS	Short Horizontal Carrier, 4:3 & 3:2 Ratios	
16	X	X	S16T	Oil Seal Plate	
17	X	X	S17F	Bottom Plug	
17	X	X	S17E	Bottom Plug, 1:30 Ratio	
	X	X	S18	Inspection Plate	
19	X	X	S19F	Oil Screw	
19	X	X	S19E	Oil Screw, 1:3 Ratio	
20		X	1331	Bearing Bushing, Light Thrust	
21	X	X	S21RD	Thrust Bearing Cover	
21	X	X	S21RC	Thrust Bearing Cover, 1:3 Ratio	
24	X	X	S24R	Non Reverse Clutch	
241	X	X		Drive Pins, Set of 2	
242	X	X	NR 20	Non Reverse Pins, Set of 4	
400	X	X		Vertical Shaft (Standard & Light Thrust)	
400	X			Vertical Shaft, 1:3 Ratio, (Standard & Light Thrust)	
450	X	X		Vertical Spacer	
451	X	X		Under Gear Spacer	
480	X	X	3000-312	Lower Retaining Ring	
500	X	X		Horizontal Shaft 1:1, 6:5, incr.	
500	X	X		Horizontal Shaft, 1:3 Ratio	
550	X	X		Horizontal Outer Spacer	
551	X	X		Horizontal Inner Spacer	
560	X	X	1231	Lucknut Set	
600	X	X	7407BG	Thrust Bearing	
600	X	X	7309BG	Thrust Bearing, 1:3 Ratio	
600	X		6407	Thrust Bearing for Light Thrust	
600		X	QJ309	Thrust Bearing for Light Thrust	
601	X	X	6208	Vertical Shaft Lower Bearing	
601	X	X	6307	Vertical Shaft Lower Bearing, 1:3 Ratio	
602	X	X	25821/ 25877	Horizontal Outer Bearing	
603	X	X	25821/ 25877	Horizontal Inner Bearing	
700	X	X	1168	Driving Nut	
700	X	X	1097	Driving Nut, 1:3 Ratio	
700	X	X	1358	Drive Sleeve	
801	X	X	1237	Oil Tube	
801	X	X	1141	Oil Tube, 1:3 Ratio	
802	X	X	471766	Oil Seal	
803	X	X		Main Oil Line	
804	X	X	1195	Oil Line Manifold	

Ref. No.	Model 20	Model 30	Part No.	Description	Price
804	X	X	1195	Oil Line Manifold with Fittings	
807	X	X		Oil Line to Gears	
808	X	X		Oil Line to Horizontal Carrier	
809	X	X		Oil Line to Thrust Bearing	
910	X	X	MK1	Vertical Shaft Gear Key	
911	X	X	MK1	Horizontal Shaft Gear Key	
	X	X		Set of Gear Case Gaskets	
SPECIAL ROTATION PARTS					
19	X	X	S19F-RH	Oil Screw	
21	X	X	S81RD	Thrust Bearing Cover	
400	X	X		Vertical Shaft	
700	X	X	1168-LH	Driving Nut	
	X	X		Lower Bearing Spacer	
HEAVY THRUST PARTS					
10	X	X	S10CSB	Gear Case	
12	X	X	S12S	Thrust Bearing Carrier	
400	X			Vertical Shaft	
400		X		Vertical Shaft	
600	X	X	2-7407BG	Thrust Bearing	
COMBINATION PARTS					
10	X	X	S10CSB	Gear Case	
12	X	X	S12S	Thrust Bearing Carrier	
21	X	X	S1121R	Thrust Bearing Cover	
35	X	X	S35C	Motor Stand, 10"	
35	X	X	S35C	Motor Stand, 12"	
35	X	X	S35C	Motor Stand, 16-1/2"	
400	X			Vertical Shaft	
400	X			Vertical Shaft for Special Rotation	
400		X		Vertical Shaft	
600	X	X	2-7407BG	Thrust Bearing	
	X	X	6207-2RS	Steady Bearing	
702	X	X	N-07	Drive Sleeve Locknut	
724	X	X	1183	Sliding Clutch	
756	X	X	1212	Drive Sleeve	
757	X	X	1213	Drive Sleeve Cover	
758	X	X	1214	Bearing Bushing	

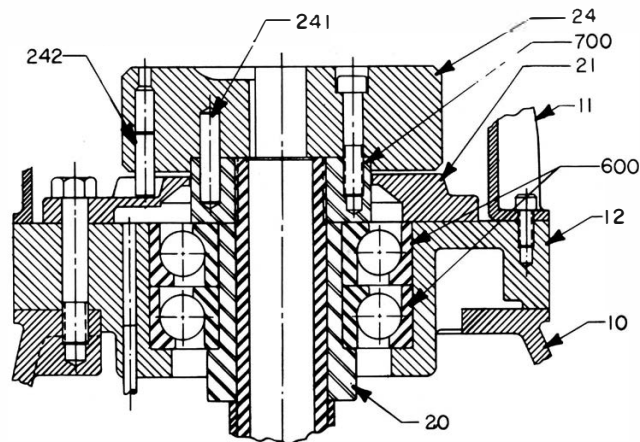
\$500.00 MINIMUM ORDER VALUE



A Marmac / Berkshire Hathaway Company



MODELS SL40 & S40



MODEL SH40

MODEL 40 PARTS PRICE LIST

BE SURE TO GIVE SERIAL NUMBER OF DRIVE WHEN ORDERING PARTS

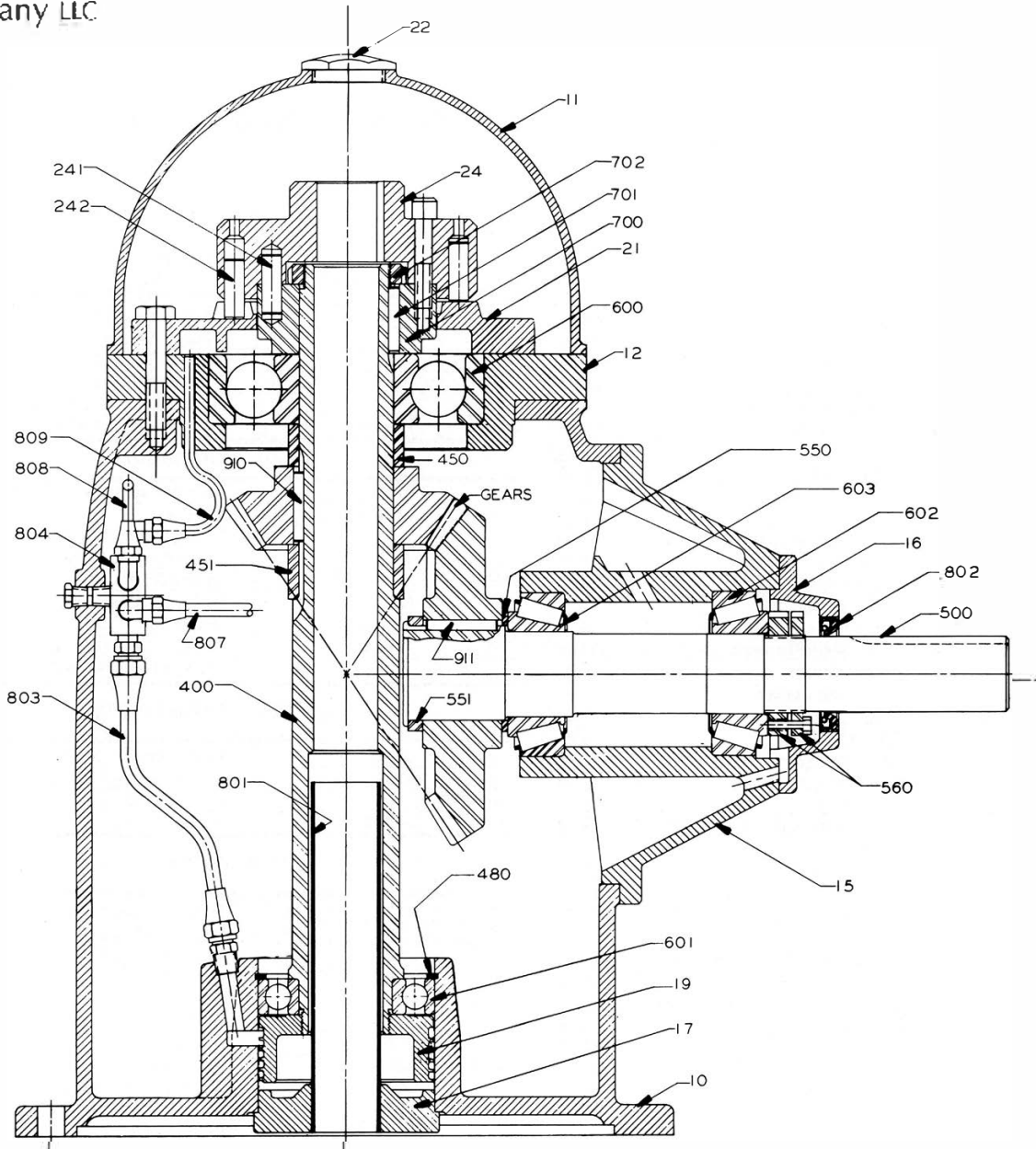
Ref. No.	Part No.	Description	Price
10	J10F	Gear Case, 12"	
10	J10FX	Gear Case, 16-1/2"	
11	J11A	Cover	
12	J12B1	Thrust Bearing Carrier	
15	J15D	Horizontal Carrier	
15	J15DS	Short Horizontal Carrier, 4:3, 3:2, 7:4, 2:1, & 3:1 Ratios	
16	J16A	Oil Seal Plate	
17	J17E	Bottom Plug	
	E18	Inspection Plate	
19	J19E	Oil Screw	
20	J20	Thrust Bearing Bushing	
21	J21RB	Thrust Bearing Cover	
24	J24R	Non Reverse Clutch	
241		Drive Pins, Set of 2	
242	NR 40	Non Reverse Pins, Set of 4	
400		Vertical Shaft (Standard & Light Thrust)	
450		Vertical Spacer	
451		Under Gear Spacer	
480	3000-393	Lower Retaining Ring	
500		Horizontal Shaft	
550		Horizontal Outer Spacer	
551		Horizontal Inner Spacer	
560	2230	Locknut Set	
600	6312	Thrust Bearing for Light Thrust	
600	7312BG	Thrust Bearing	
601	6211	Vertical Shaft Lower Bearing	
602	M802011/ M802048	Horizontal Shaft Outer Bearing	
603	M802011/ M802048	Horizontal Shaft Inner Bearing	
700	2124	Driving Nut	
700	2381	Drive Sleeve	
801	7075-2	Oil Tube	
802	473228	Oil Seal	
803		Main Oil Line	
804	E25	Oil Line Manifold	
804	E25	Oil Line Manifold with Fittings	
807		Oil Line to Gears	
808		Oil Line to Horizontal Carrier	
809		Oil Line to Thrust Bearing	
816	2255	Cooling Coll	
910	MK3	Vertical Shaft Gear Key	

Ref.	Part No.	Description	Price
911	MK3	Horizontal Shaft Gear Key	
		Set of Gear Case Gaskets	
		Oil Level Gauge Complete	
	7052-2	Oil Level Gauge Glass	
	7054-2	Oil Level Indicator Plate	
		Set of Oil Level Gauge Gaskets	
	P1030-4	Oil Level Gauge 1987 & later	
SPECIAL ROTATION PARTS			
17	J17C	Bottom Plug, 1:2 & 1:3 Ratios	
19	J19E-RH	Oil Screw	
19	J19C	Oil Screw, 1:2 & 1:3 Ratios	
21	J81RB	Thrust Bearing Cover	
400		Vertical Shaft	
601	6309	Vertical Shaft Lower Bearing, 1:30 Ratio	
700	2124-LH	Driving Nut	
801	7075-6	Oil Tube, 1:2 & 1:30 Ratio	
		Lower Bearing Spacer	
HEAVY THRUST PARTS			
12	J12S	Thrust Bearing Cover	
20	J20S	Thrust Bearing Bushing	
400		Vertical Shaft	
600	2-7312BG	Thrust Bearing	
COMBINATION PARTS			
12	J12S	Thrust Bearing Carrier	
20	J20S	Thrust Bearing Bushing	
21	J2321	Thrust Bearing Cover	
35	J35D	Motor Stand, 12"	
35	J35C	Motor Stand, 16-1/2"	
400		Vertical Shaft	
600	2-7312BG	Bearing	
6200Z	6209-2RS	Steady Bearing	
702	2243	Drive Sleeve Locknut	
724	2248	Sliding Clutch	
756	2241	Drive Sleeve	
757	2242	Drive Sleeve Cover	
758	2244	Bearing Bushing	

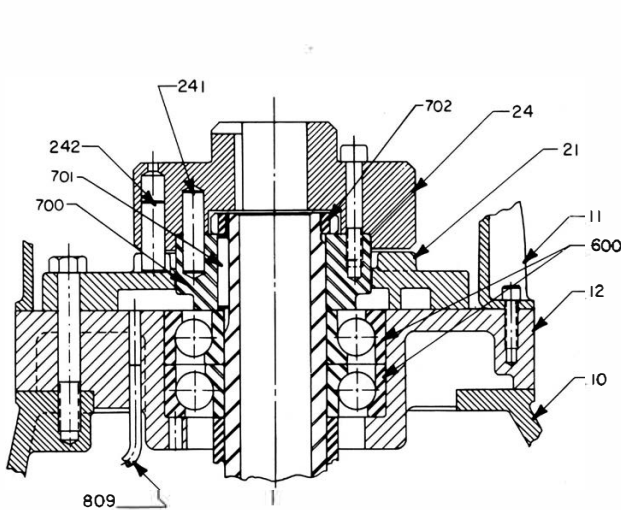
\$500.00 MINIMUM ORDER VALUE



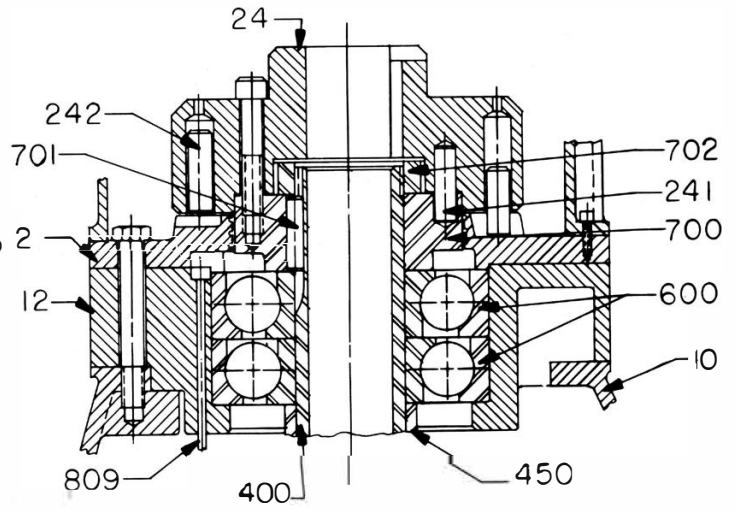
A Marmco / Berkshire Hathaway Company



MODELS SL60A, S60A & S80A



MODEL SL80A



MODELS SH60A & SH80A

MODEL 60A AND 80A PARTS PRICE LIST

BE SURE TO GIVE SERIAL NUMBER OF DRIVE WHEN ORDERING PARTS

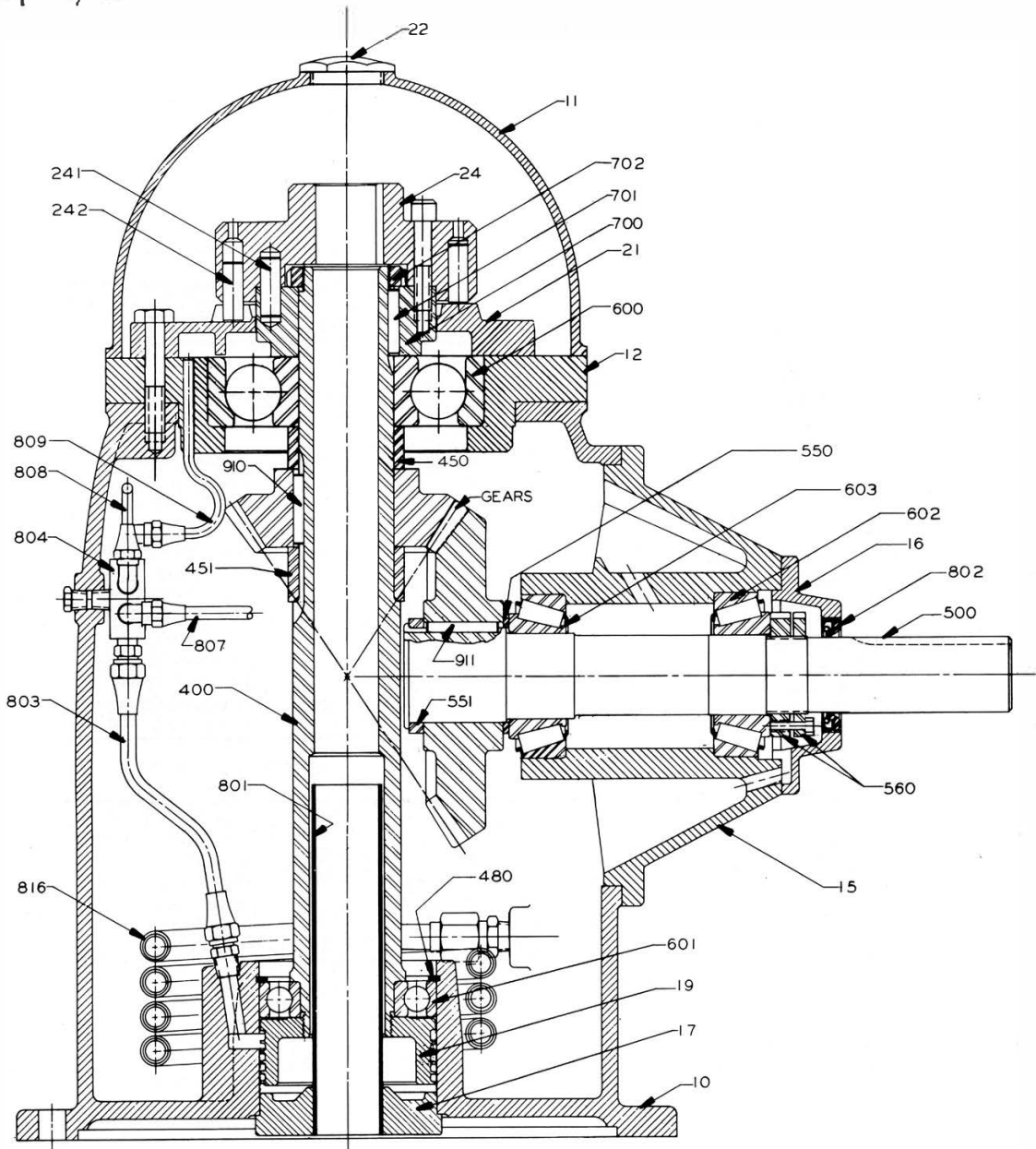
Ref. No.	Model 60A	Model 80A	Part No.	Description	Price
10	X	X	P10D	Gear Case	
11	X	X	P11B	Cover	
12	X		P12	Thrust Bearing Carrier	
12		X	P12AR	Thrust Bearing Carrier	
15	X		P13TA	Horizontal Carrier	
15	X		P13TS	Short Horizontal Carrier, 8:5, 2:1, & 3:1 Ratios	
15		X	P14TA	Horizontal Carrier	
15		X	P14TS	Short Horizontal Carrier, 5:2, 2:1, & 3:1 Ratios	
16	X		P16D	Oil Seal Plate	
16		X	P16TFS	Oil Seal Plate	
17	X	X	P17E	Bottom Plug	
	X	X	E18	Inspection Plate	
19	X	X	P19E	Oil Screw	
21	X		P21RDH	Thrust Bearing Cover	
21		X	P21RBH	Thrust Bearing Cover	
22	X	X	E22	Cover Plug	
24	X	X	P24R-1	Non Reverse Clutch	
241	X	X		Drive Pins, Set of 2	
242	X	X	NR 80	Non Reverse Pins, Set of 4	
400		X	3765-1	Vertical Shaft	
450	X	X		Vertical Spacer	
451	X	X		Under Gear Spacer	
480	X	X	3000-433	Lower Retaining Ring	
500	X		3391	Horizontal Shaft	
500		X	3392	Horizontal Shaft	
500	X	X		Horizontal Shaft 8:5, 7:4, 2:1, & 3:1 Ratios	
550	X	X		Horizontal Outer Spacer	
551	X	X		Horizontal Inner Spacer	
560	X		2230	Locknut Set	
560		X	3268	Locknut Set	
600	X		7312	Thrust Bearing	
600		X	7412	Thrust Bearing	
601	X	X	6212	Vertical Shaft Lower Bearing	
602	X		HM804810/ HM804840	Horizontal Outer Bearing	
602		X	JHM807012/ JHM807045	Horizontal Outer Bearing	
603	X		HM804810/ HM804848	Horizontal Inner Bearing	
603		X	HM807010/ HM807046	Horizontal Inner Bearing	
700	X	X	3357	Drive Sieve	
701	X	X	MK5	Drive Sleeve Key	
702	X	X	N-11	Drive Sleeve Locknut	
801	X	X	7075-3	Oil Tube	
802	X		473228	Oil Seal	
802		X	473238	Oil Seal	
803	X	X		Main Oil Line	
804	X	X	E25	Oil Line Manifold	
804	X	X	E25W	Oil Line Manifold With Fittings	
807	X	X		Oil Line to Gears	
808	X	X		Oil Line to Horizontal Carrier	
809	X	X		Oil Line to Thrust Bearing	
816	X	X	3353	Cooling Coil	
910	X	X	MK5	Vertical Shaft Gear Key	

Ref. No.	Model 60A	Model 80A	Part No.	Description	Price
911	X	X	MK5	Horizontal Shaft Gear Key	
	X	X		Set of Gear Case Gaskets	
	X	X	P1030-4	Oil Level Gauge	
SPECIAL ROTATION PARTS					
19	X	X	P19E-RH	Oil Screw, Figure 2 & 4	
19	X	X	P19E 1:3	Oil Screw, 1:30 Ratio	
20	X		3380	Lower Bearing Bushing, 1:3 & 2:5 Ratios	
20		X	3382	Thrust Bearing Bushing, 1:3 & 2:5 Ratios	
21	X		P81RDH	Thrust Bearing Cover, Figures 2 & 4	
21		X	P81RBH	Thrust Bearing Cover, Figures 2 & 4	
400	X	X		Vertical Shaft	
452	X	X		Lower Bearing Spacer	
453	X	X		Above Gear Spacer	
	X	X	P26R	Horizontal Gear Mount, 1:3 Ratio	
801	X	X	3183	Oil Tube, 1:3 & 2:5 Ratios	
LIGHT THRUST PARTS					
		X	P21RDH	Thrust Bearing Cover	
	X		P21RBH	Thrust Bearing Cover	
12	X		P12AR	Thrust Bearing Carrier	
12		X	P12SR	Thrust Bearing Carrier	
400	X	X		Vertical Shaft	
600	X		1-6412	Thrust Bearing	
600		X	2-7312	Thrust Bearing	
HEAVY THRUST PARTS					
12	X		P12SR	Thrust Bearing Carrier	
12		X	P12AR	Thrust Bearing Carrier	
400	X	X		Vertical Shaft	
600	X		2-7312	Thrust Bearing	
600		X	2-7412BG	Thrust Bearing	
COMBINATION PARTS					
12	X		P12SRC	Thrust Bearing Carrier	
12		X	P12S2	Thrust Bearing Carrer	
35	X	X	P35E 12	Motor Stand, 12"	
35	X	X	P35N 16.5	Motor Stand, 16-1/2"	
35	X	X	P35N 20	Motor Stand, 20"	
35	X	X	P35N 24.5	Motor Stand, 24-1/2"	
400	X	X		Vertical Shaft	
600	X		2-7312BG	Thrust Bearing	
600		X	2-7412BG	Thrust Bearing	
6200Z	X	X	6211-2RS	Steading Bearing	
702	X	X	N-11	Drive Sleeve Locknut	
724	X	X	3293	Sliding Clutch	
756	X	X	3290	Drive Sleeve	
757	X	X	3291	Drive Sleeve Cover	
758	X	X	3294	Bearing Bushing	

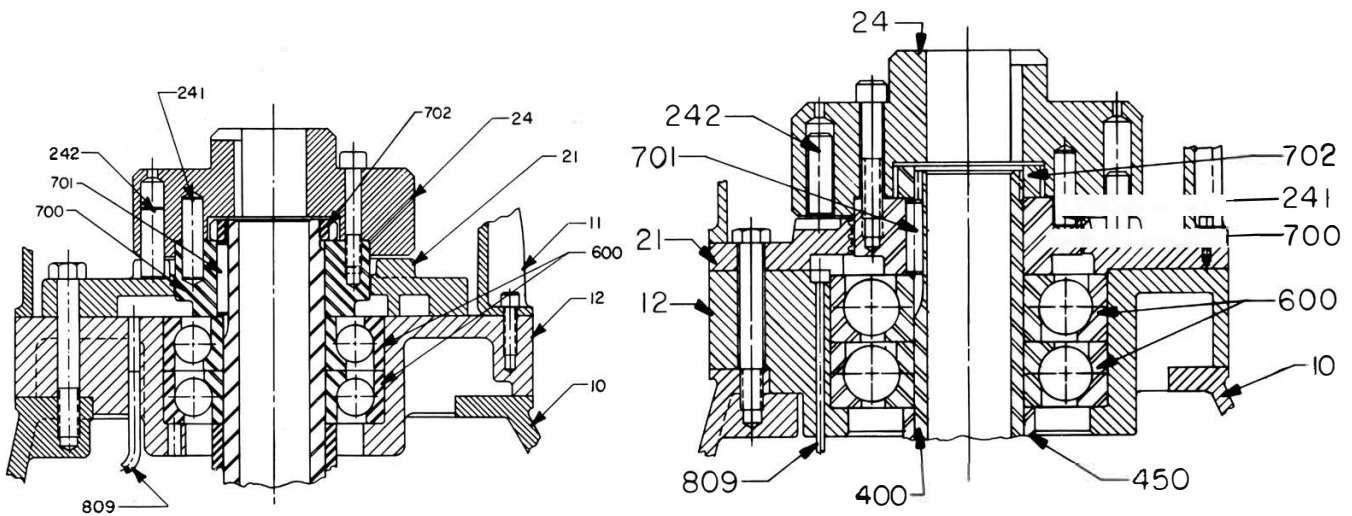
\$500.00 MINIMUM ORDER VALUE



A Marmo / Berkshire Hathaway Company



MODEL S100A



MODELS SL100A & SL125A

MODELS SH100A, S125A & SH125A

MODEL 100A AND 125A PARTS PRICE LIST

BE SURE TO GIVE SERIAL NUMBER OF DRIVE WHEN ORDERING PARTS

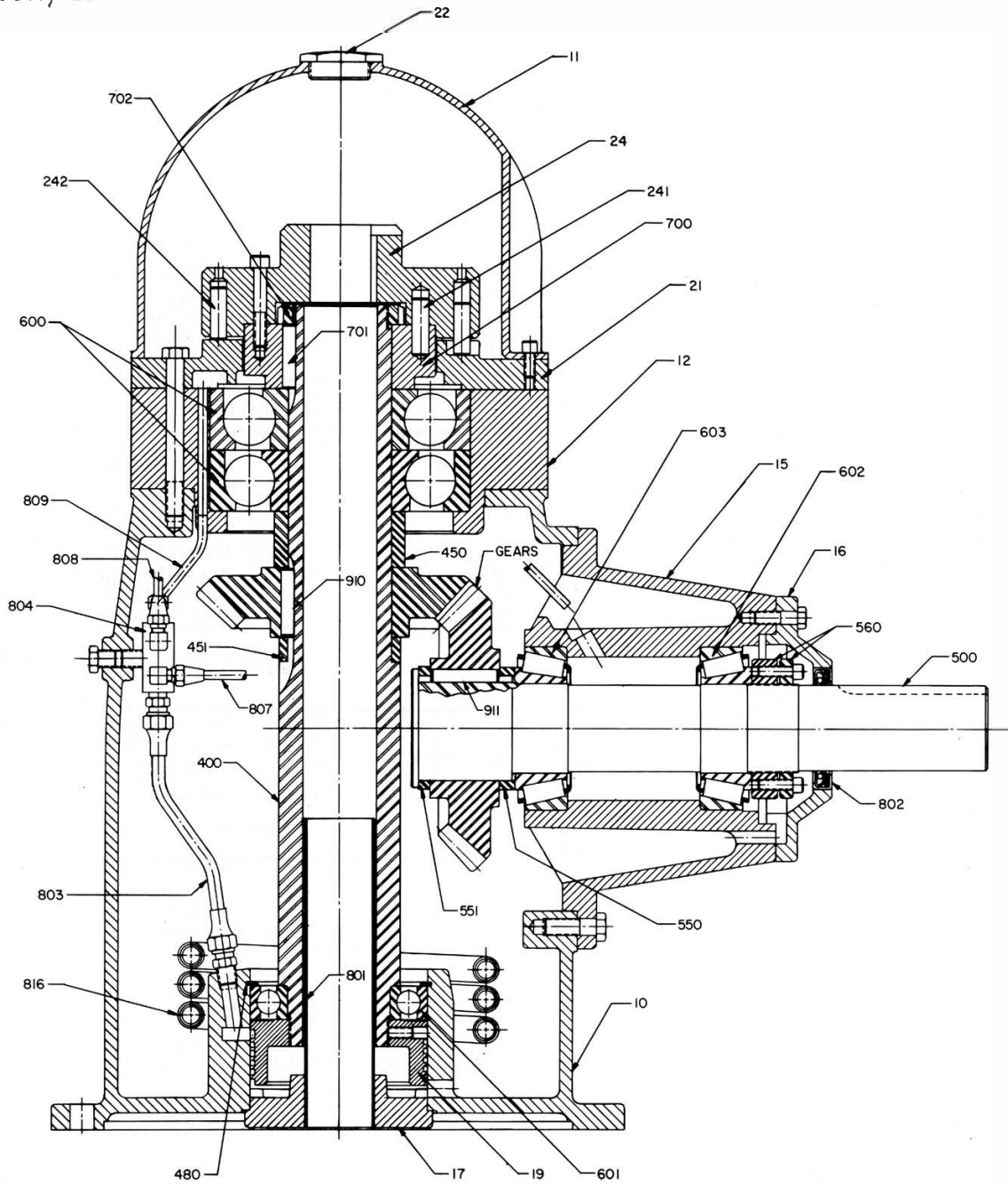
Ref. No.	Model 100A	Model 125A	Part No.	Description	Price
10	X	X	P10D	Gear Case	
11	X	X	P11B	Cover	
12	X		P12AR	Thrust Bearing Carrier	
12		X	P12SR	Thrust Bearing Carrier	
15	X		P14TA	Horizontal Carrier	
15	X		P14TS	Short Horizontal Carrier, 2:1, 5:2, & 3:1 Ratios	
15		X	P15TA	Horizontal Carrier	
16	X	X	P16TFS	Oil Seal Plate	
17	X	X	P17E	Bottom Plug	
	X	X	E18	Inspection Plate	
19	X	X	P19E	Oil Screw	
21	X		P21RBH	Thrust Bearing Cover	
21		X	P21RDH	Thrust Bearing Cover	
22	X	X	E22	Cover Plug	
24	X	X	P24R-1	Non Reverse Clutch	
241	X	X		Drive Pins, Set of 2	
242	X	X	NR 125A	Non Reverse Pins, Set of 4	
400	X		3765-1	Vertical Shaft	
400		X	3765-4	Vertical Shaft	
450	X	X		Vertical Spacer	
451	X	X		Under Gear Spacer	
480	X	X	3000-433	Lower Retaining Ring	
500	X		3392	Horizontal Shaft	
500		X	3267	Horizontal Shaft	
500	X			Horizontal Shaft 5:2, 2:1, & 3:1 Ratios	
550	X	X		Horizontal Outer Spacer	
551	X	X		Horizontal Inner Spacer	
560	X	X	3268	Locknut Set	
600	X		7412BG	Thrust Bearing	
600		X	2-7312	Thrust Bearing	
601	X	X	6212	Vertical Shaft Lower Bearing	
602	X		JHM807012/ JHM807045	Horizontal Outer Bearing	
602		X	HM807010/ HM807046	Horizontal Outer Bearing	
603	X		HM807010/ HM807046	Horizontal Inner Bearing	
603		X	5535/5566	Horizontal Inner Bearing	
700	X	X	3357	Drive Sleeve	
701	X	X	MK5	Drive Sleeve Key	
702	X	X	N-11	Drive Sleeve Locknut	
801	X	X	7075-3	Oil Tube	
802	X	X	473238	Oil Seal	
803	X	X		Main Oil Line	
804	X	X	E25	Oil Line Manifold	
804	X	X	E25W	Oil Line Manifold With Fittings	
807	X	X		Oil Line to Gears	
808	X	X		Oil Line to Horizontal Carrier	

Ref. No.	Model 100A	Model 125A	Part No.	Description	Price
809	X	X		Oil Line to Thrust Bearing	
816	X	X	3353	Cooling Coil	
910	X	X	MK5	Vertical Shaft Gear Key	
911	X	X	MK5	Horizontal Shaft Gear Key	
	X	X		Set of Gear Case Gaskets	
	X	X	P1030-4	Oil Level Gauge	
SPECIAL ROTATION PARTS					
19	X	X	P19E-RH	Oil Screw, Figure 2 & 4	
21	X		P81RBH	Thrust Bearing Cover Figures 2 & 4	
21		X	P81RDH	Thrust Bearing, Cover Figures 2 & 4	
400	X		3640-1	Vertical Shaft, Figures 2 & 3	
400		X	3640-4	Vertical Shaft, Figures 2 & 3	
452	X	X		Lower Bearing Spacer	
453	X	X		Above Gear Spacer	
LIGHT THRUST PARTS					
12	X	X	P12SR	Thrust Bearing Carrier	
21	X	X	P21RDH	Thrust Bearing Cover	
400	X	X	3765-4	Vertical Shaft	
600	X	X	2-7312BG	Thrust Bearing	
HEAVY THRUST PARTS					
12	X	X	P12S2	Thrust Bearing Carrier	
21	X	X	P21RBH	Thrust Bearing Cover	
400	X	X	3765-2	Vertical Shaft	
600	X	X	2-7412BG	Thrust Bearing	
COMBINATION PARTS					
12	X	X	P12S2	Thrust Bearing Carrier	
21	X	X	P21N	Thrust Bearing Cover	
35	X	X	P35E 12	Motor Stand, 12"	
35	X	X	P35N 16.5	Motor Stand, 16-1/2"	
35	X	X	P35N 20	Motor Stand, 20"	
35	X	X	P35N 24.5	Motor Stand, 24-1/2"	
400	X	X	3765-3	Vertical Shaft	
400	X	X	3640-5	Vertical Shaft, Figure 3	
600	X	X	2-7412BG	Thrust Bearing	
6200Z	X	X	6211-2RS	Steading Bearing	
702	X	X	N-11	Drive Sleeve Locknut	
724	X	X	3293	Sliding Clutch	
756	X	X	3290	Drive Sleeve	
757	X	X	3291	Drive Sleeve Cover	
758	X	X	3294	Bearing Bushing	

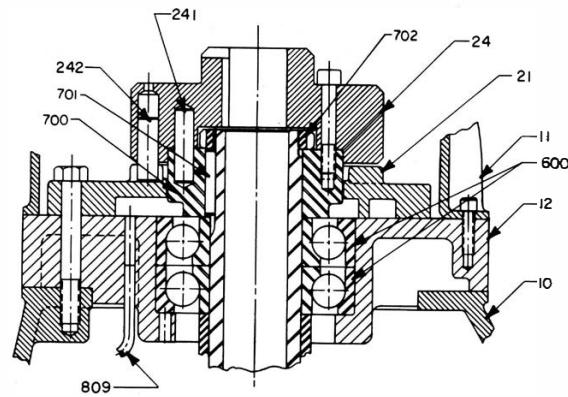
\$500.00 MINIMUM ORDER VALUE



A Marmac / Berkshire Hathaway Company



MODELS S150A & SH150A



MODEL SL150A

MODEL 150A PARTS PRICE LIST

BE SURE TO GIVE SERIAL NUMBER OF DRIVE WHEN ORDERING PARTS

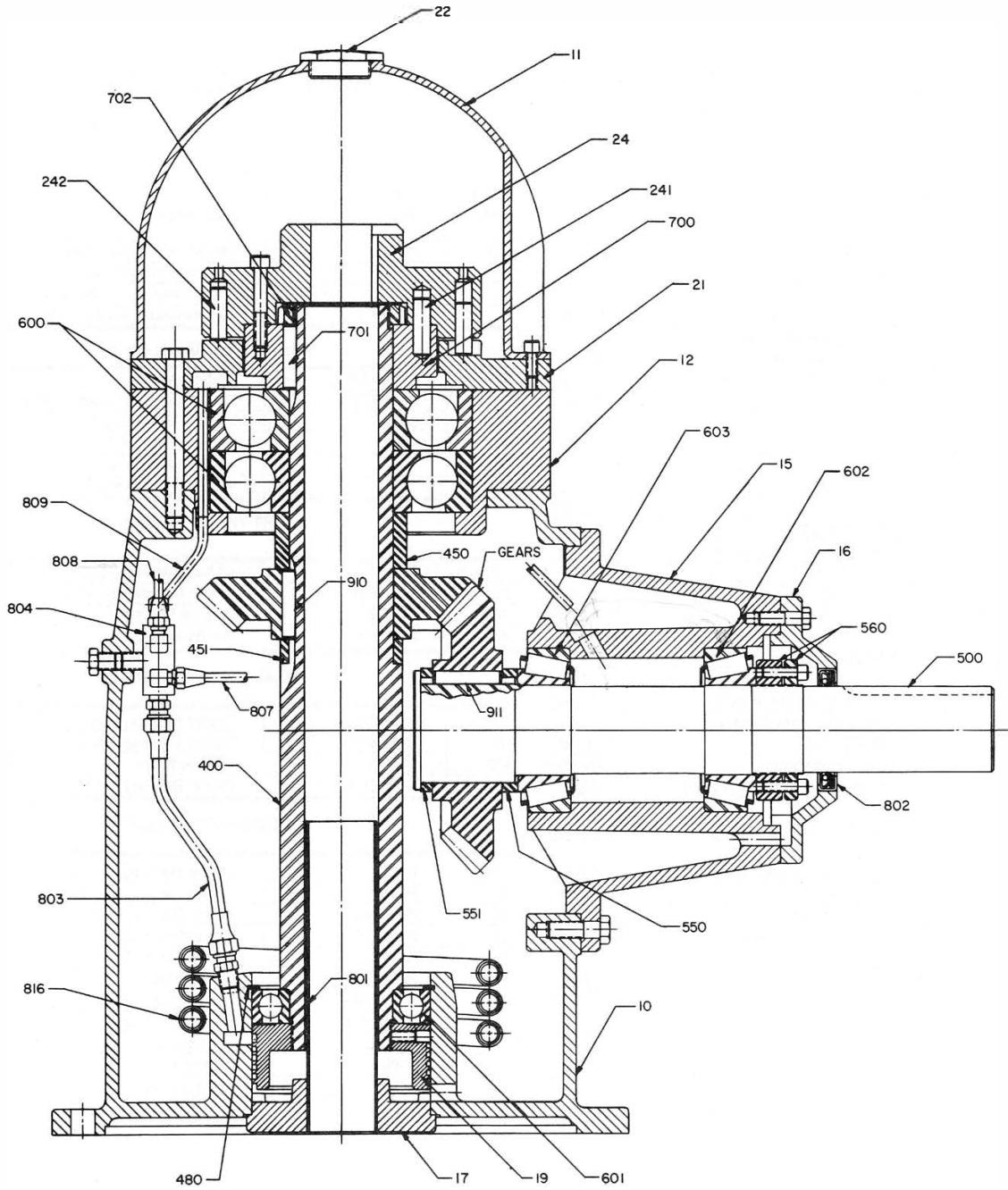
Ref. No.	Part No.	Description	Price
10	P10M	Gear Case	
11	P11B	Cover	
12	P12S2M	Thrust Bearing Carrier	
15	P15M	Horizontal Carrier	
15	P15MS	Short Horizontal Carrier, 7:4, 2:1, & 5:2 Ratios	
16	M16B	Oil Seal Plate	
17	P17M	Bottom Plug	
	E18	Inspection Plate	
19	P19M	Oil Screw	
21	P21RMH	Thrust Bearing Cover	
22	E22	Cover Plug	
24	P24RM	Non Reverse Clutch	
241		Drive Pins, Set of 2	
242	NR 125	Non Reverse Pins, Set of 4	
400	3465-3	Vertical Shaft	
450		Vertical Spacer	
451		Under Gear Spacer	
480	3000-500	Lower Retaining Ring	
500	3464	Horizontal Shaft	
500		Horizontal Shaft, 7:4, 2:1, 5:2 & 3:2 Ratios	
550		Horizontal Outer Spacer	
551		Horizontal Inner Spacer	
560	5237	Locknut Set	
600	2-7315BG	Thrust Bearing	
601	6215	Vertical Shaft Lower Bearing	
602	JH211710/ JH211749	Horizontal Outer Bearing	
603	JH211710/ JH211749	Horizontal Inner Bearing	
700	P700M	Drive Sleeve	
701	MK5	Drive Sleeve Key	
702	N-14	Drive Sleeve Locknut	
801	7075-7	Oil Tube	
802	411245	Oil Seal	
803		Main Oil Line	
804	E25	Oil Line Manifold	
804	E25W	Oil Line Manifold with Fittings	
807		Oil Line to Gears	
808		Oil Line to Horizontal Carrier	
809		Oil Line to Thrust Bearing	
816	3353	Cooling Coil	

Ref. No.	Part No.	Description	Price
910	MK6	Vertical Shaft Gear Key	
911	MK6	Horizontal Shaft Gear Key	
		Set of Gear Case Gaskets	
	P1030-4	Oil Level Gauge Complete	
SPECIAL ROTATION PARTS			
19	P19M-RH	Oil Screw, Figures 2 & 4	
21	P81RMH	Thrust Bearing Cover, Figures 2 & 4	
400	3642-1	Vertical Shaft, Figures 2 & 3	
400	3764	Vertical Shaft, 4:7 & 1:2 Ratios	
452		Lower Bearing Spacer	
453		Above Gear Spacer	
LIGHT THRUST PARTS			
12	P12S2M	Thrust Bearing Carrier	
21	P21RMH	Thrust Bearing Bushing	
400	3465-3	Vertical Shaft	
600	2-7315BG	Thrust Bearing	
HEAVY THRUST PARTS			
12	P12SER	Thrust Bearing Carrier	
21	P21RMH	Thrust Bearing Cover	
400	3465-2	Vertical Shaft	
600	2-7415BG	Thrust Bearing	
COMBINATION PARTS			
12	P12C	Thrust Bearing Carrier	
21	P21NC	Thrust Bearing Cover	
35	P35N 16.5	Motor Stand, 16-1/2"	
35	P35N 20	Motor Stand, 20"	
35	P35N 24.5	Motor Stand, 24-1/2"	
400	3694	Vertical Shaft	
600	2-7315BG	Thrust Bearing	
6200Z	6212-2RS	Steady Bearing	
724	3468	Sliding Clutch	
756	3689	Drive Sleeve	
757	3690	Drive Sleeve Cover	
758	3469	Bearing Bushing	

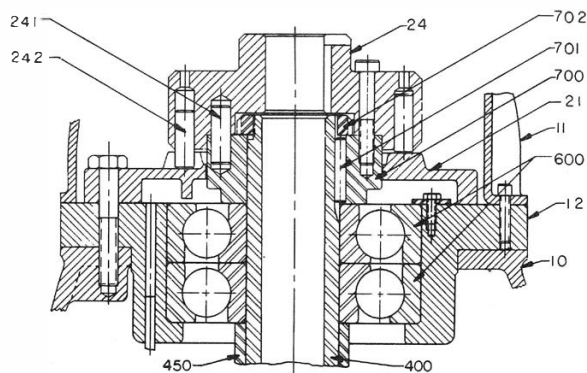
\$500.00 MINIMUM ORDER VALUE



A Marmac / Berkshire Hathaway Company



MODELS S200A & SH200A



MODEL SL200A

MODEL 200A PARTS PRICE LIST

BE SURE TO GIVE SERIAL NUMBER OF DRIVE WHEN ORDERING PARTS

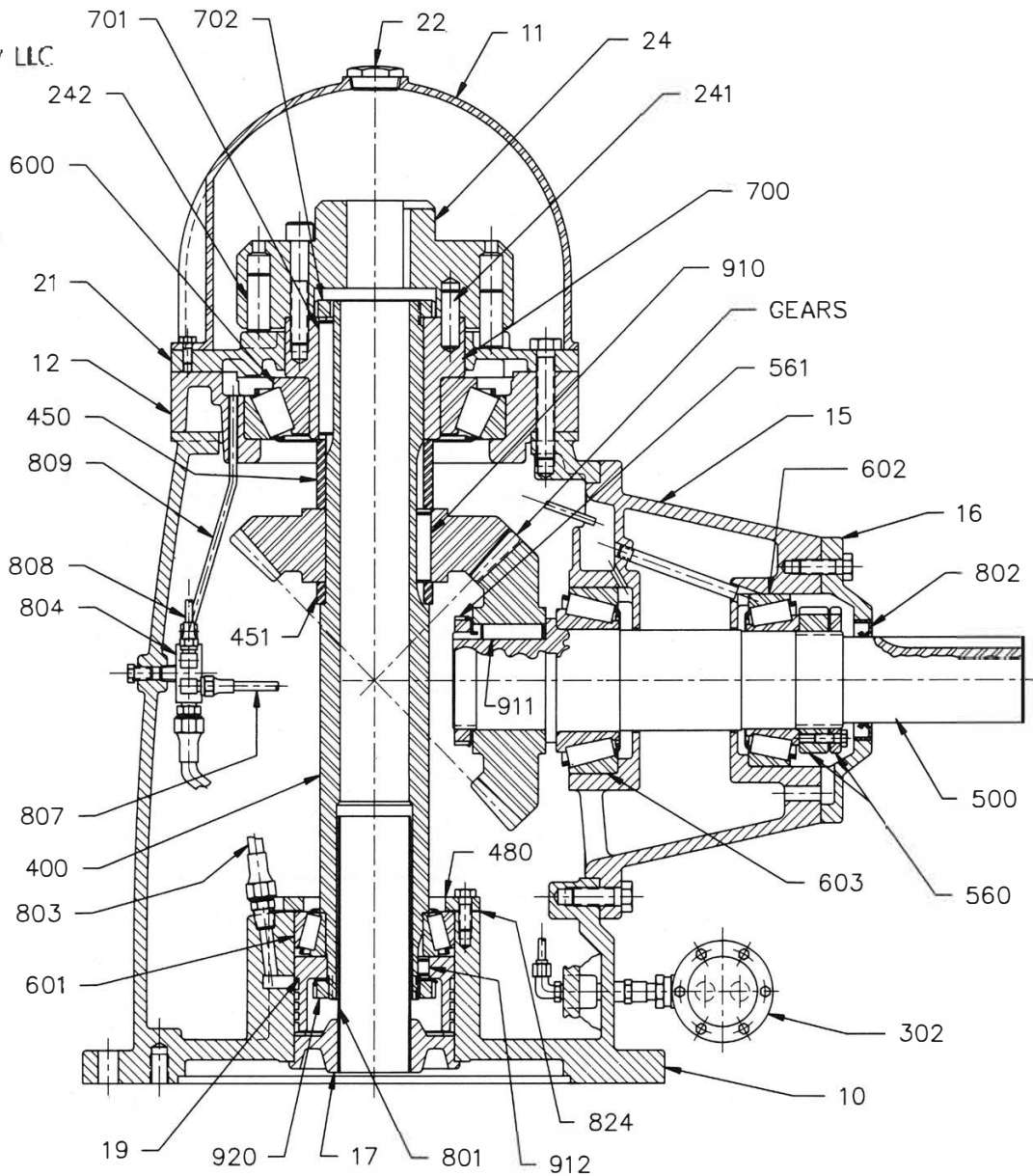
Ref. No.	Part No.	Description	Price
10	M10E	Gear Case	
11	M11B	Cover	
12	M12	Thrust Bearing Carrier	
15	M13TF	Horizontal Carrier - Speed Increasing, 1:1 & 11:10 Ratios	
15	M13STF	Horizontal Carrier - Speed Decreasing, Except 11:10	
16	M16B	Oil SealPlate	
17	M17B	Bottom Plug	
	E18	Inspection Plate	
19	M19B	Oil Screw	
21	M21RDH	Thrust Bearing Cover	
22	E22	CoverPlug	
24	M24R-1	Non Reverse Clutch	
241		Drive Pins, Set of 2	
242	NR 200	Non Reverse Pins, Set of 4	
400	5853	Vertical Shaft	
450		Vertical Spacer	
451		Vertical Under Gear Spacer	
480	3000-550	Lower Retaining Ring	
500	5262	Horizontal Shaft, Increasing 1:1 & 11:10 Ratios	
500	5261	Horizontal Shaft, Decreasing	
500	5383	Horizontal Shaft, 8:5 Ratio	
500	5813	Horizontal Shaft, 7:4 Ratio	
500	5345	Horizontal Shaft, 5:2 Ratio	
500	5265	Horizontal Shaft, 2:1 Ratio	
500	5339	Horizontal Shaft, 3:1 Ratio	
550		Horizontal Outer Spacer	
551		Horizontal Inner Space	
560	5237	Locknut Set	
600	2-7315BG	Thrust Bearing	
601	6216	Vertical Shaft Lower Bearing	
602	632/642	Horizontal Shaft Outer Bearing	
603	H414210/ H414249	Horizontal Shaft Inner Bearing	
700	5411	Drive Sleeve	
701	MK6	Drive Sleeve Key	
702	AN-15	Drive Sleeve Locknut	
801	7075-4	Oil Tube	
802	411245	Oil Seal	
803		Main Oil Line	
804	E25	Oil Line Manifold	
804	E25W	Oil Line Manifold with Fittings	
807		Oil Line to Gears	
808		Oil Line to Horizontal Carrier	
809		Oil Line to Thrust Bearing	
816	5377	Cooling Coils	

Ref. No.	Part No.	Description	Price
816	5573	Copper Nickel Cooling Coils	
910	MK6	Vertical Shaft Gear Key	
911	MK6	Horizontal Shaft Gear Key	
		Set of Gear Case Gaskets	
	P1030-4	Oil Level Gauge	
SPECIAL ROTATION PARTS			
19	M19B-RH	Oil Screw, Figures 2 & 4	
21	M81RDH	Thrust Bearing Cover, Figures 2 & 4	
400	57401	Vertical Shaft, Figures 2 & 3	
452		Lower Bearing Spacer	
453		Above Gear Spacer	
601	5216	Vertical Shaft Lower Bearing	
LIGHT THRUST PARTS			
12	M12	Thrust Bearing Carrier	
21	M21RDH	Thrust Bearing Cover	
400	5853	Vertical Shaft	
600	2-7315BG	Thrust Bearing	
HEAVY THRUST PARTS			
12	M12SB	Thrust Bearing Carrier	
21	M21RC1	Thrust Bearing Cover	
400	5857	Vertical Shaft	
600	2-7415BG	Thrust Bearing	
COMBINATION PARTS			
12	M12SB	Thrust Bearing Carrier	
21	M21C	Thrust Bearing Cover	
35	M35D 16.5	Motor Stand, 16-1/2"	
35	M35C 20	Motor Stand, 20"	
35	M35C 24.5	Motor Stand, 24-1/2"	
400	5860	Vertical Shaft	
400	5740-3	Vertical Shaft for Special Rotation	
600	2-7415BG	Thrust Bearing	
6200Z	6214-2RS	Steady Bearing	
724	5274	Sliding Clutch	
756	5271	Drive Sleeve	
757	5272	Drive Sleeve Cover	
758	5273	Bearing Bushing	

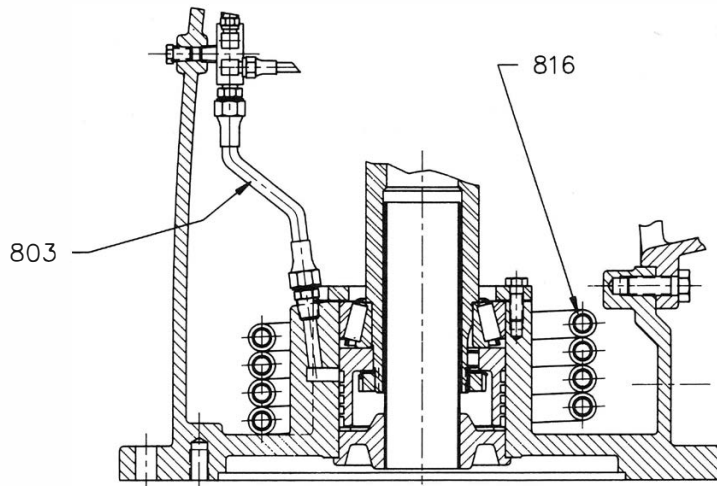
\$500.00 MINIMUM ORDER VALUE



A Marmac / Berkshire Hathaway Company



FURNISHED WITH HEAT EXCHANGER



FURNISHED WITH COOLING COILS

MODEL 250, 300, AND 350 PARTS PRICE LIST

BE SURE TO GIVE SERIAL NUMBER OF DRIVE WHEN ORDERING PARTS

Ref. No.	Model 250	Model 300	Model 350	Part No.	Description	Price
10	X	X	X	M10ET	Gear Case	
11	X	X	X	M11B	Cover	
12	X	X	X	M12T	Thrust Bearing Carrier	
15	X	X	X	M15T	Horizontal Carrier - Speed Increasing Except 10:11 & 4:5	
15	X	X	X	M15TS	Horizontal Carrier - Speed Decreasing, 1:1, 10:11, & 4:5	
16	X	X	X	L16A	Oil Seal Plate	
17	X	X	X	M17T	Bottom Plug	
	X	X	X	E18	Inspection Plate	
19	X	X	X	M19T	Oil Screw	
21	X	X	X	M21T	Thrust Bearing Cover	
22	X	X	X	E22	Cover Plug	
24	X	X	X	M24R-1	Non Reverse Clutch	
241	X	X	X		Drive Pins, Set of 2	
242	X	X	X	NR 300	Non Reverse Pins, Set of 4	
400	X	X	X	5590	Vertical Shaft, Increasing 1:1 & 11:10 Ratios	
400	X	X	X	5627	Vertical Shaft, Decreasing	
450	X	X	X		Vertical Spacer	
451	X	X	X		Vertical Under Gear Spacer	
480	X	X	X	M40T	Cup Adjustment Plate	
500	X	X	X	5594	Horizontal Shaft, 1:1, 10:11, & 11:10 Ratios	
500	X	X	X	5598	Horizontal Shaft, 6:5, 4:3, 3:2, & 5:4 Ratios	
500	X	X	X	5612	Horizontal Shaft, 2:1 Ratio	
500	X	X	X	5667	Horizontal Shaft, 3:1 Ratio	
500	X	X	X	5636	Horizontal Shaft, 5:2 Ratio	
500	X	X	X	5741	Horizontal Shaft, 7:4 Ratio	
500	X	X	X	5599	Horizontal Shaft, 4:7, 2:3, & 3:4 Ratios	
550	X	X	X		Horizontal Outer Spacer	
551	X	X	X		Horizontal Inner Spacer	
560	X	X	X	6217	Locknut Set	
561	X	X	X	AN17W17	Horizontal Gear Retainer	
600	X	X	X	HM926710/ HM926740	Thrust Bearing	
601	X	X	X	JHM516810/ JHM516849	Vertical Shaft Lower Bearing	
602	X	X	X	742/749	Horizontal Shaft Outer Bearing	
603	X	X	X	6535/6580	Horizontal Shaft Inner Bearing	
700	X	X	X	5585	Drive Sleeve	
701	X	X	X	MK14	Drive Sleeve Key	
702	X	X	X	AN16	Drive Sleeve Locknut	
801	X	X	X	7075-12	Oil Tube	
802	X	X	X	417486	Oil Seal	
803	X	X	X		Main Oil Line	

Ref. No.	Model 250	Model 300	Model 350	Part No.	Description	Price
804	X	X	X	E25	Oil Line Manifold	
804	X	X	X	E25W	Oil Line Manifold with Fittings	
807	X	X	X		Oil Line to Gears	
808	X	X	X		Oil Line to Horizontal Carrier	
809	X	X	X		Oil Line to Thrust Bearing	
816	X			5377	Cooling Coils	
816		X	X	568504010022	Heat Exchanger	
816	X			5573	Copper Nickel Cooling Coils	
910	X	X	X	MK12	Vertical Shaft Gear Key	
911	X	X	X	MK20	Horizontal Shaft Gear Key	
	X	X	X		Set of Gear Case Gaskets	
	X	X	X	P1030-4	Oil Level Gauge	
	X	X	X		Shims	
SPECIAL ROTATION PARTS						
19	X	X	X	M19T-RH	Oil Screw, Figures 2 & 4	
21	X	X	X	M81T	Thrust Bearing Cover, Figures 2 & 4	
400	X	X	X		Vertical Shaft	
452	X	X	X		Lower Bearing Spacer	
453	X	X	X		Above Gear Spacer	
HEAVY THRUST PARTS						
12	X	X	X	M12TH	Thrust Bearing Carrier	
20	X	X	X	M20TH	Thrust Bearing Bushing	
21	X	X	X	M21TH	Thrust Bearing Cover	
400	X	X	X	5691	Vertical Shaft	
600	X	X	X	HH923610/ HH923649	Thrust Bearing	
700	X	X	X	5663	Drive Sleeve	
COMBINATION PARTS						
20	X	X	X	5643	Thrust Bearing Bushing	
21	X	X	X	M21TC	Thrust Bearing Cover	
35	X	X	X	M35D 16.5	Motor Stand, 16-1/2"	
35	X	X	X	M35C 20	Motor Stand, 20"	
35	X	X	X	M35C 24.5	Motor Stand, 24-1/2"	
400	X	X	X	5665	Vertical Shaft	
6200	X	X	X	6215-2RS	Steady Bearing	
724	X	X	X	5647	Sliding Clutch	
756	X	X	X	5644	Drive Sleeve	
757	X	X	X	5645	Drive Sleeve Cover	
758	X	X	X	5646	Bearing Bushing	

\$500.00 MINIMUM ORDER VALUE



A Marmac / Berkshire Hathaway Company