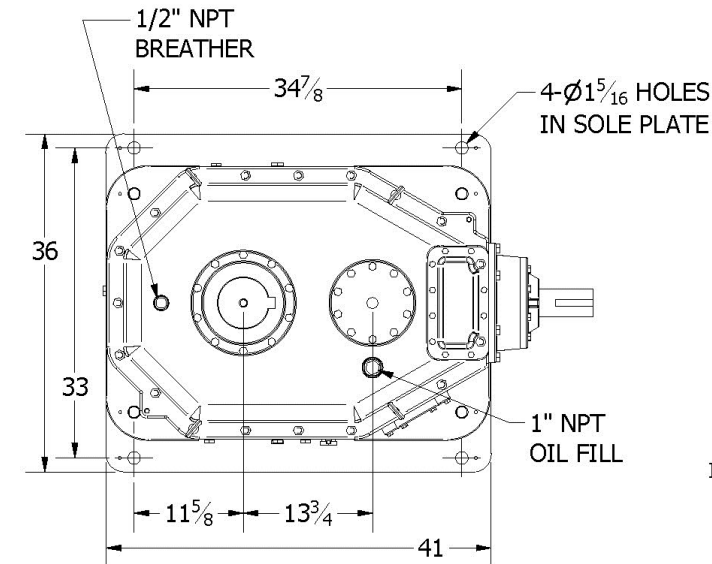


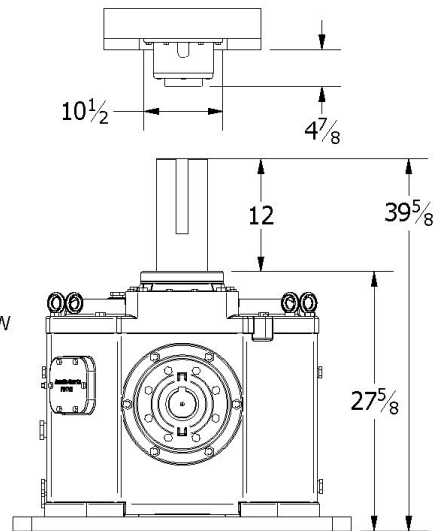
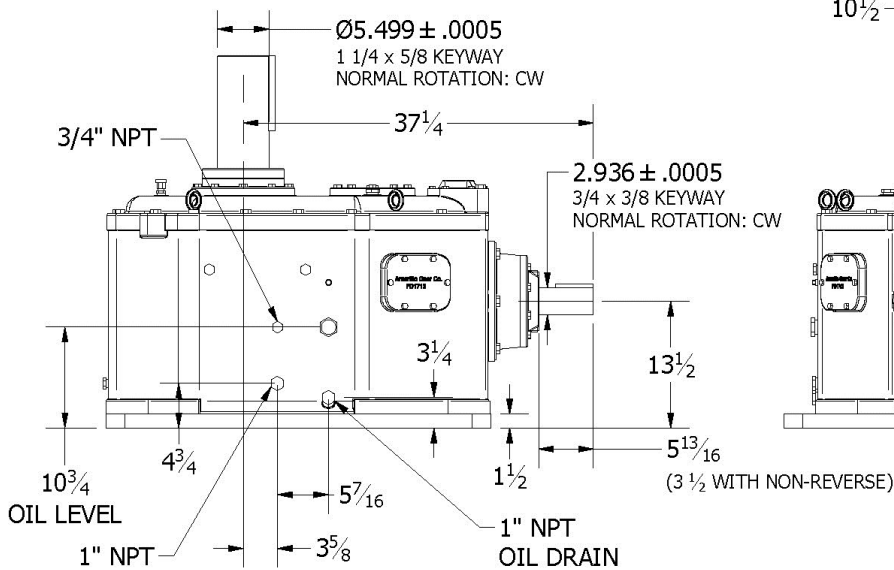
Amarillo Series Fan Drive

Model 1713W



Amarillo Gear Company LLC reserves the right to make design modifications to our gear drives that may change the given dimensions. The dimensions shown in this document may not exactly reflect the dimensions of gear drives currently being offered. Request a *certified dimension print* for construction use.

OIL PUMP (OPTION) MINIMUM CLEARANCE:
LOCATED BENEATH THE INTERMEDIATE SHAFT.
CONTACT THE FACTORY FOR ADDITIONAL
INFORMATION AND A CERTIFIED DIMENSION PRINT.



SERVICE HORSEPOWER RATINGS (2.0 SERVICE FACTOR)

Input (RPM)	Nominal Ratio									
	11	13	14	15	15.5	16	17	18	19	20
1750	390	323	310	300	294	285	272	262	250	241
1450	323	268	257	249	244	236	225	217	207	200
1160	259	214	205	199	195	189	180	174	166	160

THRUST CAPACITY: _____ 16000 lbs.
 OIL TYPE: _____ ISO 220 / AGMA 5 or 5S / No EP additives
 OIL CAPACITY: _____ 24 gallons (91 L)
 WEIGHT, DOMESTIC SHIPPING: _____ 3600 lbs.
 WEIGHT, EXPORT SHIPPING w/EXPORT BOX: _____ 3855 lbs.
 EXPORT BOX DIMENSIONS (L x W x H): _____ 55 x 47 x 47 (inches)