



Post Office Box 1789  
Amarillo, Texas 79105  
2401 Sundown Lane (79118)  
Ph. 806 622 1273  
Fax 806 622 3258

*Revision date 09/1/2009*

## **Instructions for Using Parts Price List for Single Reduction Fan Drives**

1. These parts lists are for current production models from the model 65 - 175 and A20 - A27. Contact Amarillo Gear Company for prices for optional parts, and parts for special rotation gear drives.
2. To make sure you get the correct parts, always provide the serial number of the gear drive when ordering parts.
3. A general single reduction fan drive drawing is provided for parts identification.
4. Prices are subject to change without notice.

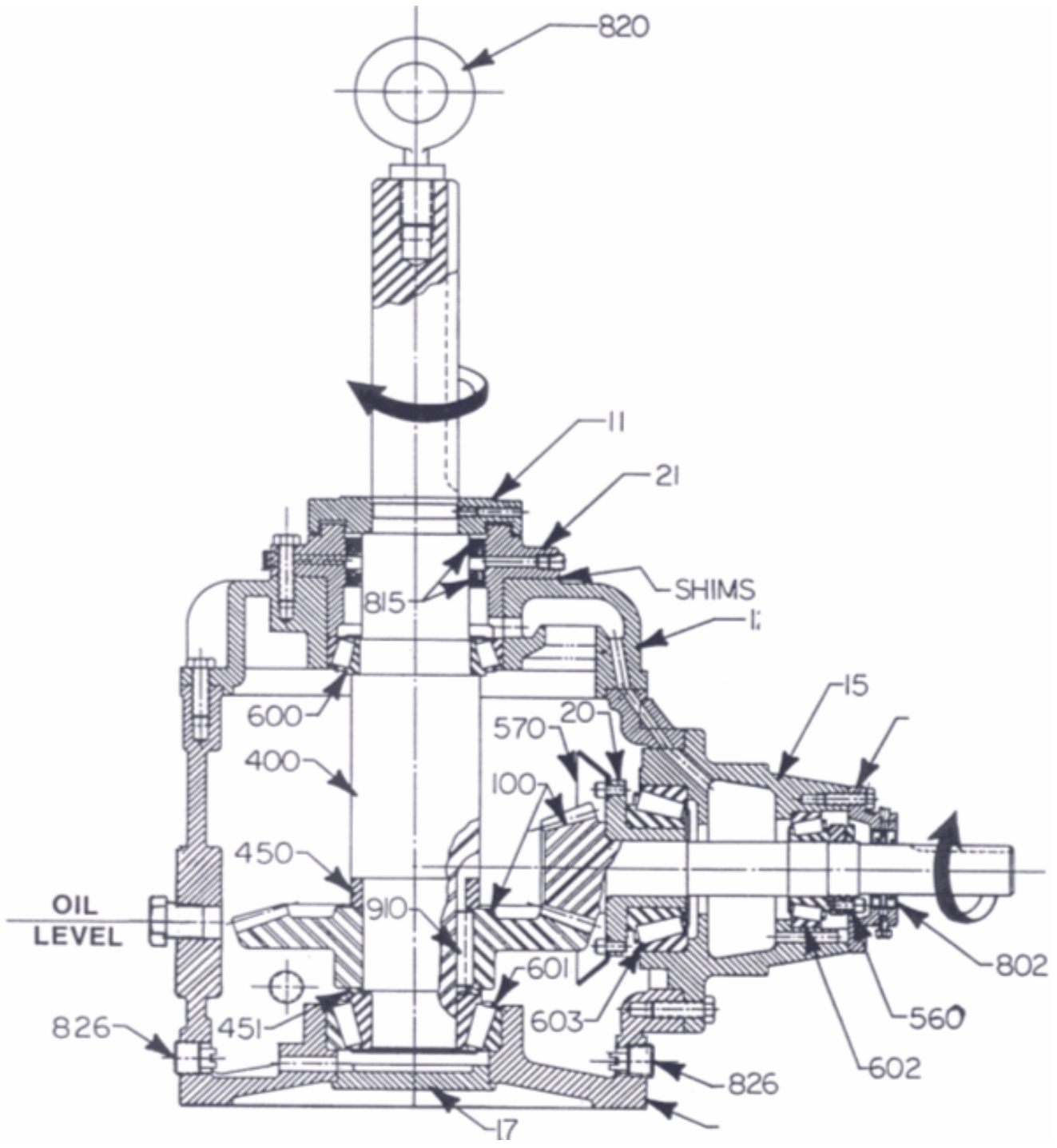
*SRP 09/09*



A member of The Marmon Group of companies

*Copyright ©2003 Amarillo Gear Co.*

SRP 11/08





**Amarillo  
Gear  
Company  
LLC**

Post Office Box 1789  
Amarillo, Texas 79105  
2401 Sundown Lane (79118)  
Ph. 806 622 1273  
Fax 806 622 3258

Prices effective 09/01/2009. Subject to Change without Notice

<b>Model 65A* Parts Price List</b>			
<b>Ref. No.</b>	<b>Part No.</b>	<b>Description</b>	<b>Price</b>
10	F1-10	Gear Case	452.00
11	F1-11	Upper Seal Plate	115.00
12	F1-12	Vertical Carrier	233.00
15	F1-15A	Horizontal Carrier	189.00
16	F1-16A	Horizontal Seal Plate	71.90
17	F2-17B	Bottom Plug	26.10
18	F1-18	Inspection Plate	34.60
20	F1-20A	Bearing Bushing	79.00
21	F1-21	Vert Seal Carrier	125.00
400	21035	Output Shaft	258.00
422	N/A	Gear Mount	
450	450-65	Above Gear Spacer	28.50
451	451-65	Under Gear Spacer	28.50
560	2-N06/1-W06	Horiz Locknut Set	8.80
570	21010	Oil Slinger	30.10
+600	JLM104910/48	Vert Upper Bearing	24.70
+601	55437/187C	Vert Lower Bearing	69.10
+602	M86610/49	Horiz Outer Bearing	25.00
+603	HM88610/48	Horiz Inner Bearing	24.70
+802	SH 65	Standard Horiz Seal Set - CR Seal #9837, qty 2	13.40
+815	SV 65	Standard Vertical Seal Set - Nat'l Seal #450279, qty 2	39.60
820	3/4 X 1-1/4	Eye Bolt	13.70
823	M 313650	Breather Plug	13.80
+824	SM 65	Vertical Shim Set	7.30
+825	G 65	Gasket Set (below S/N 231989)	8.50
	51531	Loctite Gasket Sealant 50ml tube (S/N 231989 & above)	29.30
826	PP .375SQ	Oil Drain Plug	0.30
910	MK 7498-1	Gear Key	11.50
---	P1030-3	Oil Level Sight Gauge	14.50
+100	100	Spiral Bevel Gear Set, 2.5:1 thru 5:1ratio	924.00
+100	100	Spiral Bevel Gear Set, all other ratios	995.00
---	---	Labor Net	380.00
---	---	Oil and Paint Net	41.00

\* For Model 65 part prices contact factory

+Recommended Spare Parts

MINIMUM ORDER VALUE - \$100.00 NET.

SOME PART NUMBERS DETERMINED BY RATIO AND/OR OPTIONAL FEATURES. ALWAYS PROVIDE SERIAL NUMBER OF DRIVE WHEN ORDERING PARTS FOR VERIFICATION.



**Amarillo  
Gear  
Company  
LLC**

Post Office Box 1789  
Amarillo, Texas 79105  
2401 Sundown Lane (79118)  
Ph. 806 622 1273  
Fax 806 622 3258

Prices effective 09/01/2009. Subject to Change without Notice

<b>Model 85 Parts Price List</b>			
<b>Ref. No.</b>	<b>Part No.</b>	<b>Description</b>	<b>Price</b>
10	F2-10	Gear Case	585.00
11	F2-11	Upper Seal Plate	75.10
12	F2-12	Vertical Carrier	247.00
15	F2-15	Horizontal Carrier	196.00
16	F2-16A	Horizontal Seal Plate	31.50
17	F2-17B	Bottom Plug	26.10
18	S-18	Inspection Plate	29.90
20	F2-20	Bearing Bushing	74.50
21	F2-21	Vert Seal Carrier	125.00
400	22009	Output Shaft	287.00
422	N/A	Gear Mount	
450	450-85	Above Gear Spacer	19.60
451	451-85	Under Gear Spacer	19.60
560	1231	Horiz Locknut Set	33.30
570	22008	Oil Slinger	33.30
+600	JLM710910/49	Vert Upper Bearing	61.90
+601	JHM807012/45	Vert Lower Bearing	78.20
+602	25821/77	Horiz Outer Bearing	28.70
+603	JHM807012/45	Horiz Inner Bearing	78.20
+802	SH 85	Standard Horiz Seal Set - CR Seal #12456, qty 2	14.40
+815	SV 85	Standard Vertical Seal Set - CR Seal #24897, qty 2	24.20
820	3/4 X 1-1/4	Eye Bolt	13.70
823	M 313650	Breather Plug	13.80
+824	SM 85	Vertical Shim Set	35.20
+825	GC 85	Gasket Set-Complete (below S/N 231989)	9.10
	51531	Loctite Gasket Sealant 50ml tube (S/N 231989 & above)	29.30
826	PP .5SQ	Oil Drain Plug	0.40
910	MK 7498-2	Gear Key	4.50
---	M AS240	O-ring for F2-21	4.50
---	P1030-4	Oil Level Sight Gauge	11.80
+100	100	Spiral Bevel Gear Set, 3:1 thru 7:1 ratio	1010.00
+100	100	Spiral Bevel Gear Set, all other ratios	1060.00
---	---	Labor Net	400.00
---	---	Oil and Paint Net	47.00

+Recommended Spare Parts

MINIMUM ORDER VALUE - \$100.00 NET.

SOME PART NUMBERS DETERMINED BY RATIO AND/OR OPTIONAL FEATURES. ALWAYS PROVIDE SERIAL NUMBER OF DRIVE WHEN ORDERING PARTS FOR VERIFICATION.



**Amarillo  
Gear  
Company  
LLC**

Post Office Box 1789  
Amarillo, Texas 79105  
2401 Sundown Lane (79118)  
Ph. 806 622 1273  
Fax 806 622 3258

Prices effective 09/01/2009. Subject to Change without Notice

<b>Model 110 Parts Price List</b>			
<b>Ref. No.</b>	<b>Part No.</b>	<b>Description</b>	<b>Price</b>
10	F3-10A	Gear Case	818.00
11	F3-11	Upper Seal Plate	81.30
12	F3-12	Vertical Carrier	328.00
15	F3-15A	Horizontal Carrier	209.00
16	F3-16A	Horizontal Seal Plate	45.40
17	F4-17	Bottom Plug	28.90
18	E-18	Inspection Plate	18.50
20	F3-20	Bearing Bushing	81.20
21	F4-21	Vert Seal Carrier	135.00
400	23009	Output Shaft	475.00
422	N/A	Gear Mount	
450	450-110	Above Gear Spacer	23.50
451	451-110	Under Gear Spacer	23.50
560	2230	Horiz Locknut Set	34.30
570	23008	Oil Slinger	36.60
+600	LM814810/49	Vert Upper Bearing	72.20
+601	H715311/45	Vert Lower Bearing	124.00
+602	332/6	Horiz Outer Bearing	51.40
+603	H913810/42	Horiz Inner Bearing	158.00
+802	SH 110	Standard Horiz Seal Set - CR Seal #15141, qty 2	16.10
+815	SV 110	Standard Vertical Seal Set - CR Seal #29871, qty 2	32.00
820	3/4 X 1-1/4	Eye Bolt	13.70
823	M 313650	Breather Plug	13.80
+824	SM 110	Vertical Shim Set	35.20
+825	GC 110	Gasket Set-Complete (below S/N 231989)	10.00
	51531	Loctite Gasket Sealant 50ml tube (S/N 231989 & above)	29.30
826	PP .75HX	Oil Drain Plug	2.50
910	MK 7498-3	Gear Key	7.40
---	M AS245	O-ring for F-21	4.50
---	P1030-4	Oil Level Sight Gauge	11.80
+100	100	Spiral Bevel Gear Set, 3.75:1 thru 8:1 ratio	1450.00
+100	100	Spiral Bevel Gear Set, all other ratios	1570.00
---	---	Labor Net	469.00
---	---	Oil and Paint Net	54.00

+Recommended Spare Parts

MINIMUM ORDER VALUE - \$100.00 NET.

SOME PART NUMBERS DETERMINED BY RATIO AND/OR OPTIONAL FEATURES. ALWAYS PROVIDE SERIAL NUMBER OF DRIVE WHEN ORDERING PARTS FOR VERIFICATION.



**Amarillo  
Gear  
Company  
LLC**

Post Office Box 1789  
Amarillo, Texas 79105  
2401 Sundown Lane (79118)  
Ph. 806 622 1273  
Fax 806 622 3258

Prices effective 09/01/2009. Subject to Change without Notice

<b>Model 135 Parts Price List</b>			
<b>Ref. No.</b>	<b>Part No.</b>	<b>Description</b>	<b>Price</b>
10	F4-10A	Gear Case	1100.00
11	F4-11	Upper Seal Plate	86.10
12	F4-12	Vertical Carrier	394.00
15	F4-15B	Horizontal Carrier	412.00
16	F4-16A	Horizontal Seal Plate	54.70
17	F4-17	Bottom Plug	28.90
18	E-18	Inspection Plate	18.50
20	F4-20	Bearing Bushing	136.00
21	F4-21	Vert Seal Carrier	135.00
400	24009	Output Shaft	541.00
422	F4-22	Gear Mount	235.00
450	450-135	Above Gear Spacer	25.10
451	451-135	Under Gear Spacer	25.10
560	3268	Horiz Locknut Set	50.50
570	24008	Oil Slinger	45.70
+600	LM814810/49	Vert Upper Bearing	72.20
+601	H715311/45	Vert Lower Bearing	124.00
+602	JM205110/49	Horiz Outer Bearing	54.40
+603	HH814510/47	Horiz Inner Bearing	636.00
+802	SH 135	Standard Horiz Seal Set - CR Seal #18733, qty 2	23.00
+815	SV 135	Standard Vertical Seal Set - CR Seal #29871, qty 2	32.00
820	3/4 X 1-1/4	Eye Bolt	13.70
823	M 313650	Breather Plug	13.80
+824	SM 135	Vertical Shim Set	35.20
+825	GC 135	Gasket Set-Complete (below S/N 231989)	10.60
	51531	Loctite Gasket Sealant 50ml tube (S/N 231989 & above)	29.30
826	PP .75HX	Oil Drain Plug	2.50
910	MK 7498-4	Gear Key	5.90
---	M AS245	O-ring for F4-21	4.50
---	P1030-4	Oil Level Sight Gauge	11.80
+100	100	Spiral Bevel Gear Set, 4:1 thru 8:1 ratio	1820.00
+100	100	Spiral Bevel Gear Set, all other ratios	1980.00
---	---	Labor Net	524.00
---	---	Oil and Paint Net	72.00

+Recommended Spare Parts

MINIMUM ORDER VALUE - \$100.00 NET.

SOME PART NUMBERS DETERMINED BY RATIO AND/OR OPTIONAL FEATURES. ALWAYS PROVIDE SERIAL NUMBER OF DRIVE WHEN ORDERING PARTS FOR VERIFICATION.



**Amarillo  
Gear  
Company  
LLC**

Post Office Box 1789  
Amarillo, Texas 79105  
2401 Sundown Lane (79118)  
Ph. 806 622 1273  
Fax 806 622 3258

Prices effective 09/01/2009. Subject to Change without Notice

<b>Model 155 Parts Price List</b>			
<b>Ref. No.</b>	<b>Part No.</b>	<b>Description</b>	<b>Price</b>
10	F6-10	Gear Case	1460.00
11	F5-11	Upper Seal Plate	136.00
12	F6-12	Vertical Carrier	573.00
15	F5-15	Horizontal Carrier	595.00
16	F6-16A	Horizontal Seal Plate	68.80
17	F5-17	Bottom Plug	56.70
18	E-18	Inspection Plate	18.50
20	F5-20	Bearing Bushing	246.00
21	F6-21	Vert Seal Carrier	285.00
400	26009	Output Shaft	719.00
422	F6-22	Gear Mount	388.00
450	450-155	Above Gear Spacer	41.20
451	451-155	Under Gear Spacer	41.20
560	3268	Horiz Locknut Set	50.50
570	24008	Oil Slinger	45.70
+600	JM718110/49	Vert Upper Bearing	91.90
+601	9321/80	Vert Lower Bearing	278.00
+602	JHM807012/45	Horiz Outer Bearing	78.20
+603	9321/80	Horiz Inner Bearing	278.00
+802	SH 155	Standard Horiz Seal Set - CR Seal #18733, qty 2	23.00
+815	SV 155	Standard Vertical Seal Set - CR Seal #34888, qty 2	49.80
820	3/4 X 1-1/4	Eye Bolt	13.70
823	M 313650	Breather Plug	13.80
+824	SM 155	Vertical Shim Set	40.10
+825	GC 155	Gasket Set-Complete (below S/N 231989)	10.20
	51531	Loctite Gasket Sealant 50ml tube (S/N 231989 & above)	29.30
826	PP .75HX	Oil Drain Plug	2.50
910	MK 7498-5	Gear Key	7.50
---	M AS253	O-ring for F6-21	4.50
---	P1030-4	Oil Level Sight Gauge	11.80
+100	100	Spiral Bevel Gear Set, 5:1 thru 8.5:1 ratio	3000.00
+100	100	Spiral Bevel Gear Set, all other ratios	3250.00
---	---	Labor Net	634.00
---	---	Oil and Paint Net	80.00

+Recommended Spare Parts

MINIMUM ORDER VALUE - \$100.00 NET.

SOME PART NUMBERS DETERMINED BY RATIO AND/OR OPTIONAL FEATURES. ALWAYS PROVIDE SERIAL NUMBER OF DRIVE WHEN ORDERING PARTS FOR VERIFICATION.



**Amarillo  
Gear  
Company  
LLC**

Post Office Box 1789  
Amarillo, Texas 79105  
2401 Sundown Lane (79118)  
Ph. 806 622 1273  
Fax 806 622 3258

Prices effective 09/01/2009. Subject to Change without Notice

<b>Model 175 Parts Price List</b>			
<b>Ref. No.</b>	<b>Part No.</b>	<b>Description</b>	<b>Price</b>
10	F5-10	Gear Case	1820.00
11	F5-11	Upper Seal Plate	136.00
12	F5-12	Vertical Carrier	912.00
15	F5-15	Horizontal Carrier	595.00
16	F6-16A	Horizontal Seal Plate	68.80
17	F5-17	Bottom Plug	56.70
18	E-18	Inspection Plate	18.50
20	F5-20	Bearing Bushing	246.00
21	F5-21	Vert Seal Carrier	285.00
400	25009	Output Shaft	796.00
422	L22 3.75	Gear Mount	412.00
450	450-175	Above Gear Spacer	46.80
451	451-175	Under Gear Spacer	46.80
560	3268	Horiz Locknut Set	50.50
570	24008	Oil Slinger	45.70
+600	JM718110/49	Vert Upper Bearing	91.90
+601	9321/80	Vert Lower Bearing	278.00
+602	JHM807012/45	Horiz Outer Bearing	78.20
+603	9321/80	Horiz Inner Bearing	278.00
+802	SH 175	Standard Horiz Seal Set - CR Seal #18733, qty 2	23.00
+815	SV 175	Standard Vertical Seal Set - CR Seal #34888, qty 2	49.80
820	3/4 X 1-1/4	Eye Bolt	13.70
823	M 313650	Breather Plug	13.80
+824	SM 175	Vertical Shim Set	40.10
+825	GC 175	Gasket Set-Complete (below S/N 231989)	10.20
	51531	Loctite Gasket Sealant 50ml tube (S/N 231989 & above)	29.30
826	PP .75HX	Oil Drain Plug	2.50
910	MK 7498-5	Gear Key	7.50
---	M AS253	O-ring for F5-21	4.50
---	P1030-4	Oil Level Sight Gauge	11.80
+100	100	Spiral Bevel Gear Set, 5:1 thru 9.5:1 ratio	3410.00
+100	100	Spiral Bevel Gear Set, all other ratios	3700.00
---	---	Labor Net	724.00
---	---	Oil and Paint Net	107.00

+Recommended Spare Parts

MINIMUM ORDER VALUE - \$100.00 NET.

SOME PART NUMBERS DETERMINED BY RATIO AND/OR OPTIONAL FEATURES. ALWAYS PROVIDE SERIAL NUMBER OF DRIVE WHEN ORDERING PARTS FOR VERIFICATION.



Prices effective 09/01/2009. Subject to Change without Notice

<b>Model A20 Parts Price List</b>			
<b>Ref. No.</b>	<b>Part No.</b>	<b>Description</b>	<b>Price</b>
10	MF2-10	Gear Case	1120.00
11	MF2-11	Upper Seal Plate	249.00
12	F2-12	Vertical Carrier	247.00
15	F2-15	Horizontal Carrier	196.00
16	F2-16A	Horizontal Seal Plate	31.50
18	N/A	Inspection Plate	
20	F2-20	Bearing Bushing	74.50
21	MF2-21	Vertical Seal Carrier	227.00
100	100	Spiral Bevel Gear Set	1100.00
400	29006	Output Shaft	497.00
422	N/A	Gear Mount	
450	450-A20	Above Gear Spacer	16.60
451	451-A20	Under Gear Spacer	16.60
560	1231	Horiz Locknut Set	33.30
570	22008	Oil Slinger	33.30
600	JLM710910/49	Vert Upper Bearing	61.90
601	JHM807012/45	Vert Lower Bearing	78.20
602	25821/77	Horiz Outer Bearing	28.70
603	JHM807012/45	Horiz Inner Bearing	78.20
802	SH A20	Standard Horiz Seal Set - CR Seal #12456, qty 2	14.40
815	SV A20	Standard Vertical Seal Set - CR Seal #24897, qty 2	24.20
820	3/4 X 1-1/4	Eye Bolt	13.70
823	M313650	Breather Plug	13.80
824	SM A20	Vertical Shim Set	35.20
825	G A20	Gasket Set (below S/N 231989)	4.00
	51531	Loctite Gasket Sealant 50ml (S/N 231989 & above)	29.30
826	PP .5M	Oil Drain Plug	6.10
910	MK 7498-2	Gear Key	4.50
---	N/A	Horizontal Shim Set	
---	M AS140	Seal Plate O-ring	0.80
---	N/A	Seal Carrier O-ring	
---	N/A	MF3-16 O-ring	
---	N/A	MF3-15 O-ring	
---	---	Labor Net	415.00
---	---	Oil and Paint Net	53.90

+Recommended Spare Parts

MINIMUM ORDER VALUE - \$100.00 NET.

SOME PART NUMBERS DETERMINED BY RATIO AND/OR OPTIONAL FEATURES. ALWAYS  
PROVIDE SERIAL NUMBER OF DRIVE WHEN ORDERING PARTS FOR VERIFICATION.



Prices effective 09/01/2009. Subject to Change without Notice

<b>Model A22 Parts Price List</b>			
<b>Ref. No.</b>	<b>Part No.</b>	<b>Description</b>	<b>Price</b>
10	MF3-10	Gear Case	1380.00
11	MF3-11	Upper Seal Plate	176.00
12	MF3-12	Vertical Carrier	375.00
15	MF3-15	Horizontal Carrier	300.00
16	MF3-16	Horizontal Seal Plate	86.40
18	N/A	Inspection Plate	
20	N/A	Bearing Bushing	
21	MF3-21	Vertical Seal Carrier	216.00
100	100	Spiral Bevel Gear Set	2190.00
400	27008	Output Shaft	640.00
422	F4-22	Gear Mount	235.00
450	450-A22	Above Gear Spacer	25.10
451	451-A22	Under Gear Spacer	25.10
560	2230	Horiz Locknut Set	34.30
570	MF3-20	Oil Slinger	91.50
600	34306/492A	Vert Upper Bearing	100.00
601	78551/250	Vert Lower Bearing	153.00
602	3820/77	Horiz Outer Bearing	47.40
603	72487/188C	Horiz Inner Bearing	92.80
802	13568	Standard Horiz Seal -CR Seal	11.90
815	SV M3	Standard Vertical Seal Set - CR Seal #29871, qty 2	32.00
820	E .5 X 1.5	Eye Bolt	19.00
823	M313650	Breather Plug	13.80
824	SMV M3	Vertical Shim Set	35.70
825	N/A	Gasket Set	
826	PP .75MHH	Oil Drain Plug	7.00
910	MK 7498-4	Gear Key	5.90
---	SMH M3	Horizontal Shim Set	49.20
---	M AS334	Seal Plate O-ring	0.80
---	M AS247	Seal Carrier O-ring	3.80
---	M AS155	MF3-16 O-ring	3.80
---	M AS358	MF3-15 O-ring	4.50
---	---	Labor Net	554.00
---	---	Oil and Paint Net	88.00

+Recommended Spare Parts

MINIMUM ORDER VALUE - \$100.00 NET.

SOME PART NUMBERS DETERMINED BY RATIO AND/OR OPTIONAL FEATURES. ALWAYS  
PROVIDE SERIAL NUMBER OF DRIVE WHEN ORDERING PARTS FOR VERIFICATION.



Prices effective 09/01/2009. Subject to Change without Notice

<b>Model A27 Parts Price List</b>			
<b>Ref. No.</b>	<b>Part No.</b>	<b>Description</b>	<b>Price</b>
10	MF4-10	Gear Case	2340.00
11	MF4-11	Upper Seal Plate	254.00
12	MF4-12	Vertical Carrier	830.00
15	F5-15	Horizontal Carrier	595.00
16	F6-16A	Horizontal Seal Plate	68.80
18	E-18	Inspection Plate	18.50
20	F5-20	Bearing Bushing	246.00
21	MF4-21	Vertical Seal Carrier	285.00
100	100	Spiral Bevel Gear Set	4090.00
400	28009	Output Shaft	921.00
422	L22 3.75	Gear Mount	412.00
450	450-A27	Above Gear Spacer	46.80
451	451-A27	Under Gear Spacer	46.80
560	3268	Horiz Locknut Set	50.50
570	24008	Oil Slinger	45.70
600	JM718110/49	Vert Upper Bearing	91.90
601	9321/80	Vert Lower Bearing	278.00
602	JHM807012/45	Horiz Outer Bearing	78.20
603	9321/80	Horiz Inner Bearing	278.00
802	SH A27	Standard Horiz Seal Set - CR Seal #18733, qty 2	23.00
815	SV A27	Standard Vertical Seal Set - CR Seal #34888, qty 2	49.80
820	3/4 X 1-1/4	Eye Bolt	13.70
823	M313650	Breather Plug	13.80
824	SM A27	Vertical Shim Set	40.10
825	G A27	Gasket Set (below S/N 231989)	6.20
	51531	Loctite Gasket Sealant 50ml tube (S/N 231989 & above)	29.30
826	PP .75MHH	Oil Drain Plug	7.00
910	MK 7498-5	Gear Key	7.50
---	N/A	Horizontal Shim Set	
---	M AS337	Seal Plate O-ring	1.10
---	M AS161	Seal Carrier O-ring	8.80
---	N/A	MF3-16 O-ring	
---	N/A	MF3-15 O-ring	
---	---	Labor Net	722.00
---	---	Oil and Paint Net	125.00

+Recommended Spare Parts

MINIMUM ORDER VALUE - \$100.00 NET.

SOME PART NUMBERS DETERMINED BY RATIO AND/OR OPTIONAL FEATURES. ALWAYS PROVIDE SERIAL NUMBER OF DRIVE WHEN ORDERING PARTS FOR VERIFICATION.