



**Amarillo
Gear
Company
LLC**

Post Office Box 1789
Amarillo, Texas 79105
2401 Sundown Lane (79118)
Ph. 806 622 1273
Fax 806 622 3258

Revision date 09/01/2009

Instructions for Using Parts Price List for Double Reduction Fan Drives

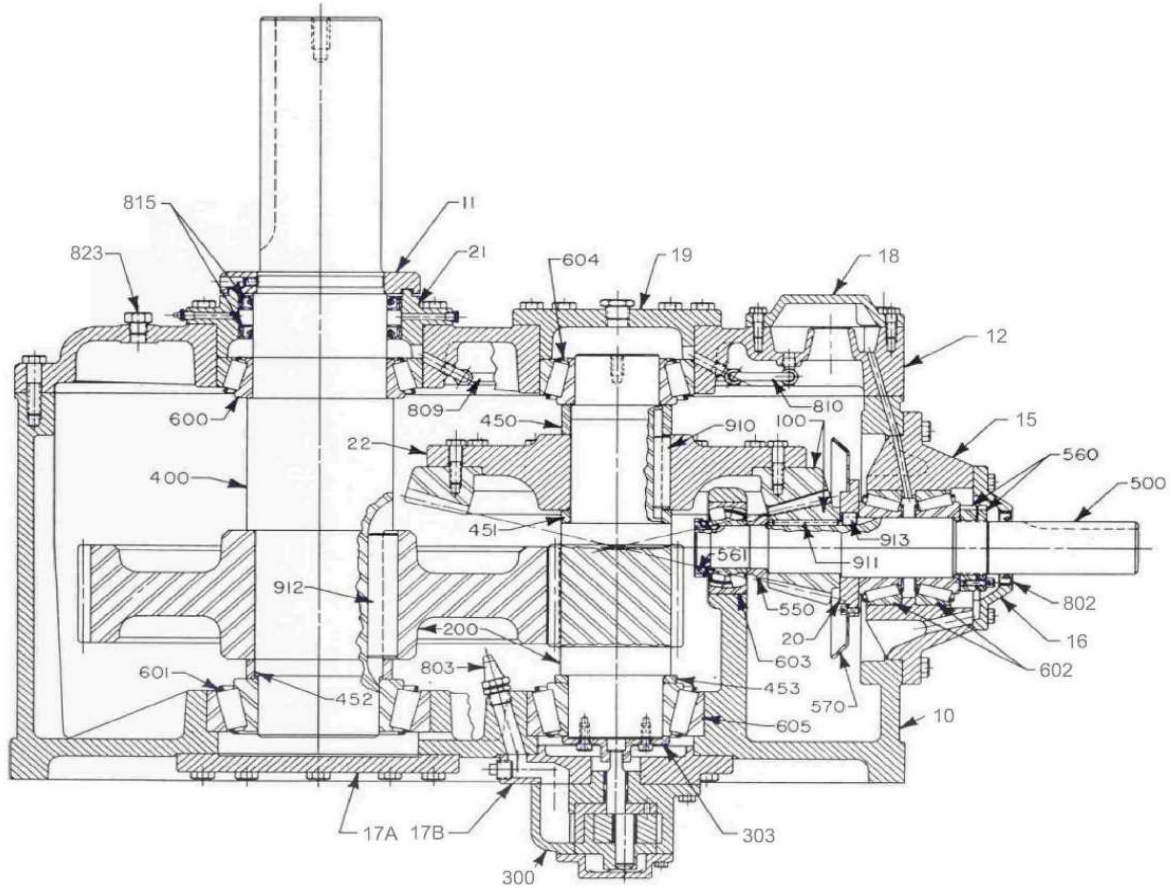
1. These parts lists are for current production models from the model 1008-1814 and A32 - A38.
Contact Amarillo Gear Company for prices for optional parts, and parts for special rotation gear drives.
2. To make sure you get the correct parts, always provide the serial number of the gear drive when ordering parts.
3. A general double reduction fan drive drawing is provided for parts identification.
4. Prices are subject to change without notice.



A member of The Marmon Group of companies

Copyright ©2003 Amarillo Gear Co.

Figure 1 - Double Reduction Gear Drive Typical Cross-Section





Post Office Box 1789
 Amarillo, Texas 79105
 2401 Sundown Lane (79118)
 Ph. 806 622 1273
 Fax 806 622 3258

Prices effective 09/01/2009. Subject to Change without Notice

Model 1008 Parts Price List			
Ref. No.	Part No.	Description	Price
10	D1-10	Gear Case and	4730.00
12	D1-12	Cover	
11	D1-11	Upper Seal Plate	146.00
15	D1-15	Horiz. Carrier	443.00
16	F4-16A	Horiz. Seal Plate	54.70
17B	D1-17BM	Lower Brg Cover-Interm	88.70
17A	D1-17AM	Lower Brg Cover-Output	83.80
18	D1-18	Cover Plate	137.00
19	D1-19	Upper Brg Cover-Interm	125.00
20	D1-20	Oil Slinger Plate	158.00
21	D1-21	Vertical Seal Carrier	224.00
22	N/A	Vertical Gear Mount	
	L18B	Inspection Plate	67.40
+100	100	Spiral Bevel Gears, 8:1 thru 11:1 ratio	1990.00
+100	100	Spiral Bevel Gears, all other ratios	2270.00
200G	397G	Helical Gear	2510.00
+200P	397P	Helical Pinion	835.00
400	31028	Vertical Output Shaft	915.00
450	450	Above Gear Spcr-Interm	21.10
451	451	Bet. Gear Spcr-Interm	21.10
452	452	Lower Gear Spcr-Output	71.00
453	453	Under Gear Spcr-Interm	21.10
500	500	Horizontal Shaft	640.00
550	N/A	Horiz Inner Brg Spacer	
560	3268	Horiz Brg Locknut Set	50.50
561	N/W-09	Horiz Gear Retainer	7.60
570	31027	Oil Slinger	48.70
+600	42587/381	Upper Bearing-Output	138.00
+601	598A/592A	Lower Bearing-Output	88.20
+602	JHM807012 JHM807045	Outer Bearing-Horiz	78.20
+603	65500 65225	Inner Bearing-Horiz	159.00
+604	553X/555S	Upper Bearing-Interm	113.00
+605	65500 65225	Lower Bearing-Interm	159.00
+802	SH 1008	Standard Horiz Oil Seal Set - CR Seal #18733, qty 2	23.00
+815	SV 1008	Standard Output Shaft Seal Set - National Seal #417504, qty 2	77.20
+823	M 313650	Breather Plug	13.80
**+824	SM 1008	Brg Shims-Output & Interm Shaft	131.00
+825	GC 1008	Gasket Set - Complete (below S/N 231989)	16.30
	51531	Loctite Gasket Sealant 2-50ml tubes (S/N 231989 & above)	58.60
**+826	*See Ref 824*		
	M AS255	O-ring for D1-21	4.80
	M AS246	O-ring for D1-19	4.80
836	N/A	Horizontal Carrier Oil Ring	
910	910-1008	Gear Key-Interm Shaft	2.90
911	911-1008	Gear Key-Horiz Shaft	1.70
912	MK 7498-6	Gear Key-Output Shaft	12.50
913	913-1008	Oil Slinger Key	1.70
300	2 RFD	Oil Pump	427.00
303	31025	Oil Pump Drive Plate	211.00
17M	D1-17MR1	Bottom Plug-Oil Pump	276.00
		Oil and Paint Net	220.00

+Recommended Spare Parts

MINIMUM ORDER VALUE - \$100.00 NET. REPAIR LABOR - \$90.00/HOUR

**Bearing Shims, Ref 824 Output Shaft & Ref 826 Intermediate Shaft, are now sold as 1 set only

SOME PART NUMBERS DETERMINED BY RATIO AND/OR OPTIONAL FEATURES. ALWAYS PROVIDE SERIAL NUMBER OF DRIVE WHEN ORDERING PARTS FOR VERIFICATION.



Post Office Box 1789
 Amarillo, Texas 79105
 2401 Sundown Lane (79118)
 Ph. 806 622 1273
 Fax 806 622 3258

Prices effective 09/01/2009. Subject to Change without Notice

Model 1110 Parts Price List			
Ref. No.	Part No.	Description	Price
10	D2-10A	Gear Case and	
12	D2-12A	Cover	4900.00
11	D2-11	Upper Seal Plate	166.00
15	D2-15	Horiz. Carrier	459.00
16	F4-16A	Horiz. Seal Plate	54.70
17B	D2-17BM	Lower Brg Cover-Interm	106.00
17A	D2-17AM	Lower Brg Cover-Output	127.00
18	D2-18	Cover Plate	146.00
19	D2-19	Upper Brg Cover-Interm	135.00
20	D2-20A	Oil Slinger Plate	167.00
21	D2-21	Vertical Seal Carrier	249.00
22	N/A	Vertical Gear Mount	
	L18B	Inspection Plate	67.40
+100	100	Spiral Bevel Gears, 8:1 thru 14:1 ratio	1990.00
+100	100	Spiral Bevel Gears, all other ratios	2350.00
200G	396G	Helical Gear	3560.00
+200P	396P	Helical Pinion	1100.00
400	32028	Vertical Output Shaft	1290.00
450	450	Above Gear Spcr-Interm	33.20
451	451	Bet. Gear Spcr-Interm	33.20
452	452	Lower Gear Spcr-Output	76.70
453	453	Under Gear Spcr-Interm	33.20
500	500.00	Horizontal Shaft	681.00
550	N/A	Horiz Inner Brg Spacer	
560	3268	Horiz Brg Locknut Set	50.50
561	N/W-09	Horiz Gear Retainer	7.60
570	32025	Oil Slinger	50.60
+600	64700/450	Upper Bearing-Output	208.00
+601	71750/425	Lower Bearing-Output	369.00
+602	JHM807012 JHM807045	Outer Bearing-Horiz	78.20
+603	HH814510 HH814547	Inner Bearing-Horiz	636.00
+604	H414210/42	Upper Bearing-Interm	160.00
+605	HH814510 HH814547	Lower Bearing-Interm	636.00
+802	SH 1110	Standard Horiz Oil Seal Set -CR Seal #18733, qty 2	23.00
+815	SV 1110	Standard Output Shaft Seal Set - CR Seal #44959, aty 2	73.00
+823	M 313650	Breather Plug	13.80
**+824	SM 1110	Brg Shims-Output & Interm Shaft	153.00
+825	GC 1110	Gasket Set - Complete (below S/N 231989)	20.00
	51531	Loctite Gasket Sealant 2-50ml tubes (S/N 231989 & above)	58.60
**+826	*See Ref 824*		
	M AS363	O-ring for D2-21	8.30
	M AS251	O-ring for D2-19	7.30
836	N/A	Horizontal Carrier Oil Ring	
910	910-1110	Gear Key-Interm Shaft	2.90
911	911-1110	Gear Key-Horiz Shaft	1.70
912	MK 7498-7	Gear Key-Output Shaft	11.90
913	913-1110	Oil Slinger Key	1.70
300	2 RFD	Oil Pump	427.00
303	32027	Oil Pump Drive Plate	219.00
17M	D2-17MR	Bottom Plug-Oil Pump	354.00
		Oil and Paint Net	240.00

+Recommended Spare Parts

MINIMUM ORDER VALUE - \$100.00 NET. REPAIR LABOR - \$90.00/HOUR

**Bearing Shims, Ref 824 Output Shaft & Ref 826 Intermediate Shaft, are now sold as 1 set only

SOME PART NUMBERS DETERMINED BY RATIO AND/OR OPTIONAL FEATURES. ALWAYS PROVIDE SERIAL NUMBER OF DRIVE WHEN ORDERING PARTS FOR VERIFICATION.



Post Office Box 1789
 Amarillo, Texas 79105
 2401 Sundown Lane (79118)
 Ph. 806 622 1273
 Fax 806 622 3258

Prices effective 09/01/2009. Subject to Change without Notice

Model 1311 Parts Price List			
Ref. No.	Part No.	Description	Price
10	D3-10	Gear Case and	6960.00
12	D3-12	Cover	
11	D3-11	Upper Seal Plate	183.00
15	D3-15	Horiz. Carrier	472.00
16	D3-16A	Horiz. Seal Plate	103.00
17B	D3-17BM	Lower Brg Cover-Interm	134.00
17A	D2-17AM	Lower Brg Cover-Output	127.00
18	D2-18	Cover Plate	146.00
19	D3-19	Upper Brg Cover-Interm	167.00
20	33018	Oil Slinger Plate	268.00
21	D3-21	Vertical Seal Carrier	257.00
22	D3-22	Vertical Gear Mount	509.00
	L18B	Inspection Plate	67.40
+100	100	Spiral Bevel Gears, 9:1 thru 16:1 ratio	3010.00
+100	100	Spiral Bevel Gears, all other ratios	3490.00
200G	398G	Helical Gear	3630.00
+200P	398P	Helical Pinion	1220.00
400	33028	Vertical Output Shaft	1660.00
450	450	Above Gear Spcr-Interm	54.20
451	451	Bet. Gear Spcr-Interm	54.20
452	452	Lower Gear Spcr-Output	97.00
453	453	Under Gear Spcr-Interm	54.20
500	500	Horizontal Shaft	821.00
550	550	Horiz Inner Brg Spacer	53.00
560	5237	Horiz Brg Locknut Set	74.60
561	N/W-08	Horiz Gear Retainer	6.60
570	32025	Oil Slinger	50.60
+600	48220/290	Upper Bearing-Output	196.00
+601	71750/425	Lower Bearing-Output	369.00
+602	2-H715345 2-H715311	Outer Bearing-Horiz	248.00
+603	22308C	Inner Bearing-Horiz	193.00
+604	742/749	Upper Bearing-Interm	142.00
+605	HH221410 HH221430	Lower Bearing-Interm	469.00
+802	SH 1311	Standard Horiz Oil Seal Set - CR Seal #24370, qty 2	36.60
+815	SV 1311	Standard Output Shaft Seal Set - CR Seal #49928, qty 2	88.00
+823	M 313650	Breather Plug	13.80
**+824	SM 1311	Brg Shims-Output & Interm Shaft	153.00
+825	GC 1311	Gasket Set - Complete (below S/N 231989)	21.90
	51531	Loctite Gasket Sealant 2-50ml tubes (S/N 231989 & above)	58.60
**+826	*See Ref 824*		
	M AS364	O-ring for D3-21	5.90
	M AS255	O-ring for D3-19	4.80
836	34152	Horizontal Carrier Oil Ring	56.70
910	MK 7501-5	Gear Key-Interm Shaft	4.90
911	911-1311	Gear Key-Horiz Shaft	1.70
912	MK 7498-8	Gear Key-Output Shaft	12.50
913	913-1311	Oil Slinger Key	1.70
300	HV 2379	Oil Pump, replaces AG530G	1190.00
303	33010	Oil Pump Drive Plate	248.00
17M	D3-17M	Bottom Plug-Oil Pump	358.00
		Oil and Paint Net	240.00

+Recommended Spare Parts

MINIMUM ORDER VALUE - \$100.00 NET. REPAIR LABOR - \$90.00/HOUR

**Bearing Shims, Ref 824 Output Shaft & Ref 826 Intermediate Shaft, are now sold as 1 set only

SOME PART NUMBERS DETERMINED BY RATIO AND/OR OPTIONAL FEATURES. ALWAYS PROVIDE SERIAL NUMBER OF DRIVE WHEN ORDERING PARTS FOR VERIFICATION.



Post Office Box 1789
 Amarillo, Texas 79105
 2401 Sundown Lane (79118)
 Ph. 806 622 1273
 Fax 806 622 3258

Prices effective 09/01/2009. Subject to Change without Notice

Model 1712 Parts Price List			
Ref. No.	Part No.	Description	Price
10	D410	Gear Case and	8360.00
12	D4-12	Cover	
11	D4-11	Upper Seal Plate	205.00
15	D4-15	Horiz. Carrier	623.00
16	D3-16A	Horiz. Seal Plate	103.00
17B	D4-17BM	Lower Brg Cover-Interm	134.00
17A	D4-17AM	Lower Brg Cover-Output	141.00
18	D4-18	Cover Plate	154.00
19	D4-19M	Upper Brg Cover-Interm	176.00
20	D4-20	Oil Slinger Plate	182.00
21	D4-21	Vertical Seal Carrier	318.00
22	D4-22 3.75	Vertical Gear Mount	661.00
	L18B	Inspection Plate	67.40
+100	100	Spiral Bevel Gears, 11:1 thru 16:1 ratio	4220.00
+100	100	Spiral Bevel Gears, all other ratios	4800.00
200G	387G	Helical Gear	5300.00
+200P	387P	Helical Pinion	1770.00
400	34028	Vertical Output Shaft	1880.00
450	450	Above Gear Spcr-Interm	61.30
451	451	Bet. Gear Spcr-Interm	61.30
452	452	Lower Gear Spcr-Output	106.00
453	453	Under Gear Spcr-Interm	61.30
500	500.00	Horizontal Shaft	906.00
550	550	Horiz Inner Brg Spacer	76.00
560	5237	Horiz Brg Locknut Set	74.60
561	N/W-10	Horiz Gear Retainer	10.40
570	34022	Oil Slinger	51.90
+600	74850/550	Upper Bearing-Output	408.00
+601	95925/500	Lower Bearing-Output	630.00
+602	2-H715345	Outer Bearing-Horiz	248.00
	2-H715311		
+603	22310C	Inner Bearing-Horiz	227.00
+604	6535/6580	Upper Bearing-Interm	176.00
+605	HH421210	Lower Bearing-Interm	624.00
	HH421246		
+802	24370	Horiz Oil Seal Set	36.60
+815	54972	Output Shaft Seal Set	123.40
+823	M 313650	Breather Plug	13.80
**+824	SM 1712	Brg Shims-Output & Interm Shaft	172.00
+825	GC 1712	Gasket Set - Complete (below S/N 231989)	23.90
	51531		
**+826	*See Ref 824*		
	M AS369	O-ring for D4-21	14.80
	M AS258V	O-ring for D419M	14.10
836	34152	Horizontal Carrier Oil Ring	56.70
910	MK 7501-6	Gear Key-Interm Shaft	12.30
911	911-1712	Gear Key-Horiz Shaft	2.80
912	MK 7498-9	Gear Key-Output Shaft	31.10
913	913-1712	Oil Slinger Key	2.80
300	HV 2379	Oil Pump, replaces AG530G	1190.00
303	34025	Oil Pump Drive Plate	261.00
17M	D4-17MR	Bottom Plug-Oil Pump	365.00
		Oil and Paint Net	385.00

+Recommended Spare Parts

MINIMUM ORDER VALUE - \$100.00 NET. REPAIR LABOR - \$90.00/HOUR

**Bearing Shims, Ref 824 Output Shaft & Ref 826 Intermediate Shaft, are now sold as 1 set only

SOME PART NUMBERS DETERMINED BY RATIO AND/OR OPTIONAL FEATURES. ALWAYS PROVIDE SERIAL NUMBER OF DRIVE WHEN ORDERING PARTS FOR VERIFICATION.



Post Office Box 1789
 Amarillo, Texas 79105
 2401 Sundown Lane (79118)
 Ph. 806 622 1273
 Fax 806 622 3258

Prices effective 09/01/2009 Subject to Change without Notice

Model 1712.5 Parts Price List			
Ref. No.	Part No.	Description	Price
10	D4.510	Gear Case and	9190.00
12	D4-12	Cover	
11	D4-11	Upper Seal Plate	205.00
15	D5-15	Horiz. Carrier	661.00
16	D5-16A	Horiz. Seal Plate	146.00
17B	D4-17BM	Lower Brg Cover-Interm	134.00
17A	D4-17AM	Lower Brg Cover-Output	141.00
18	D4-18	Cover Plate	154.00
19	D4-19M	Upper Brg Cover-Interm	176.00
20	D4-20	Oil Slinger Plate	182.00
21	D4-21	Vertical Seal Carrier	318.00
22	D4-22 3.75	Vertical Gear Mount	661.00
	L18B	Inspection Plate	67.40
+100	100	Spiral Bevel Gears, 12:1 thru 17:1 ratio	4220.00
+100	100	Spiral Bevel Gears, all other ratios	4800.00
200G	730G	Helical Gear	5300.00
+200P	730P	Helical Pinion	1770.00
400	34203	Vertical Output Shaft	1880.00
450	450	Above Gear Spcr-Interm	61.30
451	451	Bet. Gear Spcr-Interm	61.30
452	452	Lower Gear Spcr-Output	106.00
453	453	Under Gear Spcr-Interm	61.30
500	500	Horizontal Shaft	1030.00
550	550	Horiz Inner Brg Spacer	114.00
560	6217	Horiz Brg Locknut Set	166.00
561	N/W-10	Horiz Gear Retainer	10.40
570	34022	Oil Slinger	51.90
+600	74850/550	Upper Bearing-Output	408.00
+601	95925/500	Lower Bearing-Output	630.00
+602	2-6535	Outer Bearing-Horiz	352.00
	2-6580		
+603	22310C	Inner Bearing-Horiz	227.00
+604	6535/6580	Upper Bearing-Interm	176.00
+605	HH421210	Lower Bearing-Interm	624.00
	HH421246		
+802	SH 1712.5	Standard Horiz Oil Seal Set - CR Seal #29384, qty 2	61.80
+815	SV 1712.5	Standard Output Shaft Seal Set - CR Seal #54972, qty 2	123.40
+823	M 313650	Breather Plug	13.80
**+824	SM 1712.5	Brg Shims-Output & Interm Shaft	172.00
+825	GC 1712	Gasket Set - Complete (below S/N 231989)	23.90
	51531		
**+826	*See Ref 824*		
	M AS369	O-ring for D4-21	14.80
	M AS258V	O-ring for D419M	14.10
836	34106	Horizontal Carrier Oil Ring	56.70
910	MK 7501-6	Gear Key-Interm Shaft	12.30
911	911-1713	Gear Key-Horiz Shaft	2.80
912	MK 7498-9	Gear Key-Output Shaft	31.10
913	913-1712.5	Oil Slinger Key	2.80
300	HV 2379	Oil Pump, replaces AG530G	1190.00
303	34025	Oil Pump Drive Plate	261.00
17M	D4-17MR	Bottom Plug-Oil Pump	365.00
		Oil and Paint Net	440.00

+Recommended Spare Parts

MINIMUM ORDER VALUE - \$100.00 NET. REPAIR LABOR - \$90.00/HOUR

**Bearing Shims, Ref 824 Output Shaft & Ref 826 Intermediate Shaft, are now sold as 1 set only

SOME PART NUMBERS DETERMINED BY RATIO AND/OR OPTIONAL FEATURES. ALWAYS PROVIDE SERIAL NUMBER OF DRIVE WHEN ORDERING PARTS FOR VERIFICATION.



**Amarillo
Gear
Company
LLC**

Post Office Box 1789
Amarillo, Texas 79105
2401 Sundown Lane (79118)
Ph. 806 622 1273
Fax 806 622 3258

Prices effective 09/01/2009. Subject to Change without Notice

Model 1713A Parts Price List			
Ref. No.	Part No.	Description	Price
10	D5-10B	Gear Case and	9780.00
12	D5-12	Cover	
11	D5-11	Upper Seal Plate	229.00
15	D5-15	Horiz. Carrier	661.00
16	D5-16A	Horiz. Seal Plate	146.00
17B	D-517BM	Lower Brg Cover-Interm	182.00
17A	D5-17AM	Lower Brg Cover-Output	168.00
18	D4-18	Cover Plate	154.00
19	D5-19	Upper Brg Cover-Interm	208.00
20	D4-20	Oil Slinger Plate	182.00
21	D5-21	Vertical Seal Carrier	322.00
22	D4-22 3.75	Vertical Gear Mount	661.00
	L18B	Inspection Plate	67.40
+100	100	Spiral Bevel Gears, 13:1 to 17:1 ratios	4220.00
+100	100	Spiral Bevel Gears, all other ratios	4800.00
200G	399G	Helical Gear	6530.00
+200P	399P	Helical Pinion	2080.00
400	35028	Vertical Output Shaft	2290.00
450	450	Above Gear Spcr-Interm	73.40
451	451	Bet. Gear Spcr-Interm	73.40
452	452	Lower Gear Spcr-Output	122.00
453	453	Under Gear Spcr-Interm	73.40
500	500	Horizontal Shaft	1030.00
550	550	Horiz Inner Brg Spacer	114.00
560	6217	Horiz Brg Locknut Set	166.00
561	N/W-10	Horiz Gear Retainer	10.40
570	34022	Oil Slinger	51.90
+600	M231610/49	Upper Bearing-Output	354.00
+601	99100/550	Lower Bearing-Output	759.00
+602	2-6535	Outer Bearing-Horiz	352.00
	2-6580		
+603	22310C	Inner Bearing-Horiz	227.00
+604	850/32	Upper Bearing-Interm	305.00
+605	HH224310	Lower Bearing-Interm	703.00
	HH224335		
+802	SH 1713	Standard Horiz Oil Seal Set - CR Seal #29384, qty 2	61.80
+815	SV 1713	Standard Output Shaft Seal Set - National Seal #415683	242.00
+823	M 313650	Breather Plug	13.80
**+824	SM 1713	Brg Shims-Output & Interm Shaft	173.00
+825	GC 1713	Gasket Set - Complete (below S/N 231989)	25.10
	51531	Loctite Gasket Sealant 2-50ml tubes (S/N 231989 & above)	58.60
**+826	*See Ref 824*		
	M AS267V	O-ring for D5-21	19.60
	M AS362	O-ring for D5-19	6.10
836	35106	Horizontal Carrier Oil Ring	56.70
910	MK 7501-6	Gear Key-Interm Shaft	12.30
911	911-1713	Gear Key-Horiz Shaft	2.80
912	MK 7498-10	Gear Key-Output Shaft	54.90
913	913-1713	Oil Slinger Key	2.80
300	HV 2379	Oil Pump, replaces AG530G	1190.00
303	35017	Oil Pump Drive Plate	352.00
17M	D5-17M	Bottom Plug-Oil Pump	500.00
		Oil and Paint Net	440.00

+Recommended Spare Parts

MINIMUM ORDER VALUE - \$100.00 NET. REPAIR LABOR - \$90.00/HOUR

**Bearing Shims, Ref 824 Output Shaft & Ref 826 Intermediate Shaft, are now sold as 1 set only

SOME PART NUMBERS DETERMINED BY RATIO AND/OR OPTIONAL FEATURES. ALWAYS PROVIDE SERIAL NUMBER OF DRIVE WHEN ORDERING PARTS FOR VERIFICATION.



Post Office Box 1789
 Amarillo, Texas 79105
 2401 Sundown Lane (79118)
 Ph. 806 622 1273
 Fax 806 622 3258

Prices effective 09/01/2009. Subject to Change without Notice

Model 1814 Parts Price List				
Ref. No.	Part No.	Description	Price	
10	D6-1012	Gear Case and Cover	11710.00	
11	D6-11	Upper Seal Plate	286.00	
15R	D6-15R	Horiz. Inner Bearing Carrier	1020.00	
15T	D6-15T	Horiz. Outer Bearing Carrier	840.00	
16	D6-16	Horiz. Oil Seal Plate	270.00	
17B	D6-17B	Bottom Plug-Intermediate	318.00	
17A	D6-43	Outer Bearing Carrier	982.00	
18	D6-18	Oil Pocket Cover Plate	256.00	
19	D6-19	Upper Brg Cover-Interm	461.00	
---	L18B	Inspection Plate	67.40	
20	D4-20 3.5	Oil Slinger Plate	182.00	
21	D6-21	Vertical Seal Carrier	658.00	
22	D6-22	Vertical Gear Mount	872.00	
+100	100	Spiral Bevel Gears	5950.00	
200G	578G	Helical Gear	9670.00	
+200P	578P	Helical Pinion	2750.00	
400	36028	Vertical Output Shaft	2850.00	
450	450	Above Gear Spcr-Interm	252.00	
451	451	Bet. Gear Spcr-Interm	252.00	
452	452	Lower Gear Spcr-Output	198.00	
453	453	Under Gear Spcr-Interm	137.00	
560	6217	Horiz Brg Locknut Set	166.00	
561	12148	Inner Bearing Retainer	324.00	
570	36014	Oil Slinger	65.80	
+600	67720/67790	Upper Bearing-Output	537.00	
+601	N232	Lower Radial Bearing-Output	2510.00	
+602	98788/98350	Outer Bearing-Horiz (2)	1158.00	
+603	22310C	Inner Bearing-Horiz	227.00	
+604	932/941	Upper Bearing-Interm	549.00	
+605	HH923610/49	Lower Bearing-Interm	1710.00	
+606	29326	Lower Thrust Bearing - Output	1900.00	
+802	SH 1814	Standard Horiz Oil Seal Set - CR Seal #31189, qty 2	66.00	
+815	SV 1814	Standard Vertical Oil Seal Set - CR Seal #70052, qty 2	258.00	
+823	M 313650	Breather Plug	13.80	
**	+824	Brg Shims-Output & Interm Shaft	213.00	
	+825	Gasket Set - Complete (below S/N 231989)	9.00	
		51531	Loctite Gasket Sealant 2-50ml tubes (S/N 231989 & above)	58.60
**	+826	*See Ref 824*		
	835	9-1604-21	Pre-Load Springs (8)	57.60
	+828	M AS379	O-Ring Vertical Seal Carrier	14.80
	+829	M AS376	O-Ring Interm Upper Brg Carrier	12.10
	+830	M AS456	O-Ring Horz Inner Brg Carrier	23.90
	+831	M AS276	O-Ring Horz Outer Brg Carrier	17.60
	+832	M AS170	O-Ring Oil Seal Plate	13.30
	+833	M AS367	O-Ring Interm Lower Brg Cover	9.00
	+834	M AS381	O-Ring Thrust Brg Carrier	18.50
	910	MK 7498-11	Gear Key-Interm Shaft	21.40
	912	MK 7501-4	Gear Key-Output Shaft	59.80
	913	MK 8	Oil Slinger Key	1.70
	300	HV 2379	Oil Pump, replaces AG530G	1190.00
	303	36015	Oil Pump Drive Plate	358.00
	17M	D6-17BM	Bottom Plug-Oil Pump	537.00
			Oil and Paint Net	587.00

+Recommended Spare Parts

MINIMUM ORDER VALUE - \$100.00 NET. REPAIR LABOR - \$90.00/HOUR

**Bearing Shims, Ref 824 Output Shaft & Ref 826 Intermediate Shaft, are now sold as 1 set only

SOME PART NUMBERS DETERMINED BY RATIO AND/OR OPTIONAL FEATURES. ALWAYS PROVIDE SERIAL NUMBER OF DRIVE WHEN ORDERING PARTS FOR VERIFICATION.



Prices effective 09/01/2009. Subject to Change without Notice

Model A32 Parts Price List

Ref. No.	Part No.	Description	Price	
10	MD3-10	Gear Case and	5150.00	
12	D3-12	Cover		
11	MD3-11	Upper Seal Plate	208.00	
15	MD3-15	Horiz. Carrier	668.00	
16	D3-16A	Horiz. Seal Plate	103.00	
18	D2-18	Cover Plate	146.00	
19	D3-19	Upper Brg Cover-Interm	167.00	
20	33018	Oil Slinger Plate	268.00	
21	D3-21	Vertical Seal Carrier	257.00	
22	D3-22	Vertical Gear Mount	509.00	
---	L18B	Inspection Plate	67.40	
100+	100	Spiral Bevel Gears	3200.00	
200G	398G	Helical Gears	3630.00	
200P	398P	Helical Pinion	1220.00	
400	37008	Vertical Output Shaft	1330.00	
450	450	Above Gear Spcr-Interm	54.20	
451	451	Bet. Gear Spcr-Interm	54.20	
452	452	Lower Gear Spcr-Output	97.00	
453	453	Lower Gear Spcr-Interm	54.20	
---	N/A	Between Helical Spcr		
500	500	Horizontal Shaft	826.00	
560	5237	Horiz Brg Locknut Set	74.60	
570	32025	Oil Slinger	50.60	
600+	48220/290	Upper Bearing-Output	196.00	
601+	71750/425	Lower Bearing-Output	369.00	
602+	JLM710910/49	Outer Bearing-Horiz	61.90	
603+	H414210/49	Inner Bearing-Horiz	123.00	
604+	742/749	Upper Bearing-Interm	142.00	
605+	HH221410/30	Lower Bearing-Interm	469.00	
802+	SH A32	Standard Horiz Oil Seal Set - CR Seal #24370, qty 2	36.60	
815+	SV A32	Standard Output Shaft Seal Set - CR Seal #49928, qty 2	88.00	
823	M313650	Breather Plug	13.80	
**	824+	SM A32	Brg Shims-Output & Interm Shaft	154.00
	825+	G A32	Gasket Set (below S/N 231989)	12.00
		51531	Loctite Gasket Sealant 2-50ml tubes (S/N 231989 & above)	58.60
**	826+	*See Ref 824*		
	910	910-A32	Gear Key-Interm Shaft	2.80
	911	911-A32	Gear Key-Horiz Shaft	1.10
	912	MK 7498-8	Gear Key-Output Shaft	12.50
	913	913-A32	Oil Slinger Key	1.70
	---	P1022-6	Oil Sight Gauge	24.90
	---+	M AS255	Upper Brg. Cover O-ring	4.80
	---+	M AS364	Vert. Seal Carr. O-ring	5.90
	---	37015	Hub Retainer Plate	50.80
	---	N/A	Brg. Adjustment Plate	
	---	N/A	Snap Ring	
	---		Oil and Paint Net	256.00

+Recommended Spare Parts

MINIMUM ORDER VALUE - \$100.00 NET. REPAIR LABOR - \$90.00/HOUR

**Bearing Shims, Ref 824 Output Shaft & Ref 826 Intermediate Shaft, are now sold as 1 set only

SOME PART NUMBERS DETERMINED BY RATIO AND/OR OPTIONAL FEATURES. ALWAYS PROVIDE SERIAL NUMBER OF DRIVE WHEN ORDERING PARTS FOR VERIFICATION.



Prices effective 09/01/2009. Subject to Change without Notice

Model A34 Parts Price List

Ref. No.	Part No.	Description	Price	
10	MD4-10	Gear Case and	8360.00	
12	D4-12	Cover		
11	D4-11	Upper Seal Plate	205.00	
15	D4-13	Horiz. Carrier	807.00	
16	D5-16A	Horiz. Seal Plate	146.00	
18	D4-18	Cover Plate	154.00	
19	D4-19M	Upper Brg Cover-Interm	176.00	
20	D4-20	Oil Slinger Plate	182.00	
21	D4-21	Vertical Seal Carrier	318.00	
22	D4-22 3.75	Vertical Gear Mount	661.00	
---	L18B	Inspection Plate	67.40	
100+	100	Spiral Bevel Gears	4370.00	
100+	100	Spiral Bevel Gears	0.00	
200G	387G	Helical Gears	5300.00	
200P	387P	Helical Pinion	1770.00	
400	38006	Vertical Output Shaft	2460.00	
450	450	Above Gear Spcr-Interm	61.30	
451	451	Bet. Gear Spcr-Interm	61.30	
452	452	Lower Gear Spcr-Output	106.00	
453	453	Lower Gear Spcr-Interm	61.30	
---	N/A	Between Helical Spcr		
500	500	Horizontal Shaft	1230.00	
560	6217	Horiz Brg Locknut Set	166.00	
570	34022	Oil Slinger	51.90	
600+	74850/550	Upper Bearing-Output	408.00	
601+	95925/500	Lower Bearing-Output	630.00	
602+	742/9	Outer Bearing-Horiz	142.00	
603+	98788/350	Inner Bearing-Horiz	579.00	
604+	6535/6580	Upper Bearing-Interm	176.00	
605+	HH421210/46	Lower Bearing-Interm	624.00	
802+	SH A34	Standard Horiz Oil Seal Set - CR Seal #29384, qty 2	61.80	
815+	SV A34	Standard Output Shaft Seal Set - CR Seal #54972, qty 2	123.40	
823	M313650	Breather Plug	13.80	
**	824+	SM A34	Brg Shims-Output & Interm Shaft	172.00
**	825+	G A34	Gasket Set (below S/N 231989)	13.70
		51531	Loctite Gasket Sealant 2-50ml tubes (S/N 231989 & above)	58.60
**	826+	*See Ref 824*		
	910	MK 7501-6	Gear Key-Interm Shaft	12.30
	911	MK 7498-4	Gear Key-Horiz Shaft	5.90
	912	MK 7498-9	Gear Key-Output Shaft	31.10
	913	MK23	Oil Slinger Key	2.90
	---	P1022-6	Oil Sight Gauge	24.90
	---+	AS258V	Upper Brg. Cover O-ring	14.10
	---+	AS369	Vert. Seal Carr. O-ring	14.80
	---	37015.00	Hub Retainer Plate	50.80
	---	N/A	Brg. Adjustment Plate	
	---	N/A	Snap Ring	
	---		Oil and Paint Net	400.00

+Recommended Spare Parts

MINIMUM ORDER VALUE - \$100.00 NET. REPAIR LABOR - \$90.00/HOUR

**Bearing Shims, Ref 824 Output Shaft & Ref 826 Intermediate Shaft, are now sold as 1 set only

SOME PART NUMBERS DETERMINED BY RATIO AND/OR OPTIONAL FEATURES. ALWAYS PROVIDE SERIAL NUMBER OF DRIVE WHEN ORDERING PARTS FOR VERIFICATION.



Prices effective 09/01/2009. Subject to Change without Notice

Model A36 & A38 Parts Price List

Ref. No.	Part No.	Description	Price	
10	MD4-10	Gear Case and	8360.00	
12	D4-12	Cover		
11	34084	Upper Seal Plate	580.00	
15	D4-13	Horiz. Carrier	807.00	
16	D5-16A	Horiz. Seal Plate	146.00	
18	D4-18	Cover Plate	154.00	
19	D4-19M	Upper Brg Cover-Interm	176.00	
20	D4-20	Oil Slinger Plate	182.00	
21	34085	Vertical Seal Carrier	789.00	
22	D4-22 3.75	Vertical Gear Mount	661.00	
---	L18B	Inspection Plate	67.40	
100+	100	Spiral Bevel Gears for Model A36	7060.00	
100+	100	Spiral Bevel Gears for Model A38	7600.00	
200G	387G	Helical Gears	5300.00	
200P	387P	Helical Pinion	1770.00	
400	34083	Vertical Output Shaft	2460.00	
450	450	Above Gear Spcr-Interm	61.30	
451	451	Bet. Gear Spcr-Interm	61.30	
452	452	Lower Gear Spcr-Output	106.00	
453	453	Lower Gear Spcr-Interm	61.30	
---	XF-A36	Between Helical Spcr	269.00	
500	500	Horizontal Shaft	906.00	
560	6217	Horiz Brg Locknut Set	166.00	
570	34022	Oil Slinger	51.90	
600+	74850/550	Upper Bearing-Output	408.00	
601+	95925/500	Lower Bearing-Output	630.00	
602+	742/9	Outer Bearing-Horiz	142.00	
603+	98788/350	Inner Bearing-Horiz	579.00	
604+	6535/6580	Upper Bearing-Interm	176.00	
605+	HH421210/46	Lower Bearing-Interm	624.00	
802+	SH A36	Standard Horiz Oil Seal Set - CR Seal #29384, qty 2	61.80	
815+	SV A36	Standard Output Shaft Seal Set - CR Seal #64994, qty 2	169.20	
823	M313650	Breather Plug	13.80	
**	824+	SM A36	Brg Shims-Output & Interm Shaft	172.00
	825+	G A36	Gasket Set (below S/N 231989)	13.70
		51531	Loctite Gasket Sealant 2-50ml tubes (S/N 231989 & above)	58.60
**	826+	*See Ref 824*		
	910	910-A36	Gear Key-Interm Shaft	12.70
	911	911-A36	Gear Key-Horiz Shaft	18.50
	912	912-A36	Gear Key-Output Shaft	32.00
	913	913-A36	Oil Slinger Key	2.90
	---	P1022-6	Oil Sight Gauge	24.90
	---+	M AS258V	Upper Brg. Cover O-ring	14.10
	---+	M AS267V	Vert. Seal Carr. O-ring	19.60
	---	34088	Hub Retainer Plate	261.00
	---	34086	Brg. Adjustment Ring	421.00
	---	3100-650	Snap Ring	85.40
	---		Oil and Paint Net	400.00

+Recommended Spare Parts

MINIMUM ORDER VALUE - \$100.00 NET. REPAIR LABOR - \$90.00/HOUR

**Bearing Shims, Ref 824 Output Shaft & Ref 826 Intermediate Shaft, are now sold as 1 set only

SOME PART NUMBERS DETERMINED BY RATIO AND/OR OPTIONAL FEATURES. ALWAYS PROVIDE SERIAL NUMBER OF DRIVE WHEN ORDERING PARTS FOR VERIFICATION.